



Light Commercial & Residential MULTI-SPLIT

- M-002 Multi-split Overview
- M-004 Multi-split Outdoor Units Lineup
- M-006 2-unit to 8-unit Multi-split Connectable Indoor Units
- M-010 Simultaneous Multi-split Connectable Indoor Units
- M-048 Feature Summary



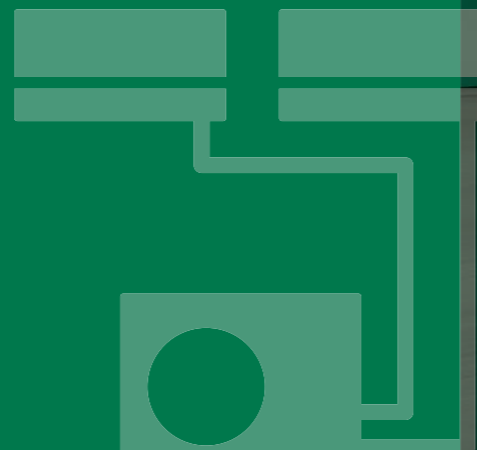
Refrigerant type R32 models

- M-012 2-unit to 5-unit Multi-split
- M-018 Simultaneous Multi-split Twin/Triple
-
- M-022 2-unit to 5-unit Multi-split Indoor Units Specifications
-
- M-026 2-unit to 5-unit Multi-split Combination Table



Refrigerant type R410A models

- 6-unit to 8-unit Multi-split**
- M-014 6-unit Multi-split
- M-016 8-unit Multi-split
- Simultaneous Multi-split Type**
- M-020 Simultaneous Multi-split Twin/Triple/Double Twin
-
- M-024 6-unit to 8-unit Multi-split Indoor Units Specifications
-
- M-036 6-unit to 8-unit Multi-split Combination Table



A single outdoor unit drives multiple indoor units, offering greater flexibility in system configuration.

If you wish to keep an entire floor or two or more rooms comfortable, we recommend you choose a multi-split air conditioning system with a single outdoor unit. Choose one that meets your air conditioning requirements from the variety of models we offer. You can mix and match indoor and outdoor units as you wish to build the system that best suits your needs.

Multi-split Overview

Multi-split's space-saving outdoor unit allows for connections of up to eight indoor units for multiple rooms. Added to the lineup are models compatible with the new R32 refrigerant, offering environmentally friendly comfort in homes, offices, stores, and various other settings.



NEW 3-unit, 4-unit, 5-unit Multi-split Types



3-unit 18/24 class



4-unit 30 class
5-unit 36 class



2-unit Multi-split



14 class



18 class

2-unit to 8-unit Multi-split

Recommended for residences, offices, and other situations where multiple rooms require air conditioning. Each of the 2 to 8 connected indoor units can also be operated individually. Operation control, time scheduling for each room, and energy-saving options can be set on both individual and central remote controllers. The outdoor unit is designed to save space and is flexible enough to be installed on a balcony or underneath a waist-high window.

6-unit, 8-unit Multi-split



6-unit 45 class



8-unit 45 class

Twin/Triple



Twin 36 class
(Single-phase/3-phase)



Twin/Triple 45/54 class
(Single-phase/3-phase)



Twin/Triple/
Double Twin



72/90 class
(3-phase)

Simultaneous Multi-split Type

Suitable for a small building, the entrance hall of a small office, meeting rooms, educational facilities, and other roomy areas where multiple indoor units need to be operated simultaneously. Up to 4 indoor units can be operated simultaneously, making the system perfect for air conditioning not only offices with large spaces, but also spaces with atypical layouts.

Multi-split Outdoor Units Lineup



FUJITSU GENERAL (Euro) GmbH participates in the ECP program for VRF. Check ongoing validity of certificate: www.eurovent-certification.com
*Models so marked are not ECC certified.

		Class	14	18	18	24	30	36	45		54	72	90
		Cooling rated capacity (kW)	4.0	5.0	5.4	6.8	8.0	10.0	12.5	14.0	14.0	19.0	22.0
2-unit, 3-unit, 4-unit, 5-unit Multi-split	2-unit Multi-split Up to 2 units		AOYG14KBTA2	AOYG18KBTA2									
	3-unit Multi-split Up to 3 units	NEW			AOYG18KBTA3	AOYG24KBTA3							
	4-unit Multi-split Up to 4 units	NEW					AOYG30KBTA4						
	5-unit Multi-split Up to 5 units	NEW						AOYG36KBTA5*1					
6-unit Multi-split	6-unit Multi-split Up to 6 units	R410A							AOYG45LBA6*				
8-unit Multi-split Up to 8 units		R410A								AOYG45LBT8*			
Simultaneous Multi-split	Twin Single-phase							AOYG36KBTB	AOYG45KBTB				
	Twin 3-phase							AOYG36KRTA	AOYG45KRTA				
	Twin/Triple Single-phase	R32									AOYG54KBTB		
	Twin/Triple 3-phase										AOYG54KRTA		
	Twin/Triple/Double Twin 3-phase	R410A										AOYG72LRLA	AOYG90LRLA

Notes: **1. 2-unit Multi-split:** Connectable indoor units are 2 units.
AOYG14KBTA2: Total capacity of indoor units connected must be between 4.0 kW and 6.0 kW.
AOYG18KBTA2: Total capacity of indoor units connected must be between 4.0 kW and 7.5 kW.
2. 3-unit Multi-split: Connectable indoor units are 2 to 3 units.
AOYG18KBTA3: Total capacity of indoor units connected must be between 4.0 kW and 8.5 kW.
AOYG24KBTA3: Total capacity of indoor units connected must be between 4.0 kW and 10.5 kW.

3. 4-unit Multi-split: Connectable indoor units are 2 to 4 units.
AOYG30KBTA4: Total capacity of indoor units connected must be between 7.5 kW and 14.0 kW.
4. 5-unit Multi-split: Connectable indoor units are 2 to 5 units.
AOYG36KBTA5: Total capacity of indoor units connected must be between 7.5 kW and 15.5 kW.

5. 6-unit Multi-split: Connectable indoor units are 2 to 6 units.
AOYG45LBA6: Total capacity of indoor units connected must be between 9.5 kW and 18.0 kW.
6. 8-unit Multi-split: Connectable indoor units are 2 to 8 units.
AOYG45LBT8: Total capacity of indoor units connected must be between 11.0 kW and 18.0 kW.

Cooling rated capacity: *1: 9.5 kW

2-unit to 8-unit Multi-split Connectable Indoor Units



Type	2-unit		3-unit		4-unit	5-unit	
Model name	AOYG14KBT2	AOYG18KBT2	AOYG18KBT3	AOYG24KBT3	AOYG30KBT4	AOYG36KBT5	
Multi-split Type Outdoor Unit							
Capacity (kW)	Cooling	4.0	5.0	5.4	6.8	8.0	9.5
	Heating	4.4	5.6	6.8	8.0	9.6	10.6

Indoor Unit	BTU	kW Class	2-unit	3-unit	4-unit	5-unit
 ASYG07/09/12/14KETA	7,000	2.0	●	●	●	●
	9,000	2.5	●	●	●	●
 ASYG07/09/12/14KETA-B	12,000	3.5	●	●	●	●
	14,000	4.0	—	●	●	●
 NEW	18,000	5.0	—	—	●	●
	22,000	6.0	—	—	●	●
	24,000	7.0	—	—	●	●
 NEW	9,000	2.5	●	●	●	●
	12,000	3.5	●	●	●	●
	14,000	4.0	—	●	●	●
	7,000	2.0	●	●	●	●
	9,000	2.5	●	●	●	●
	12,000	3.5	●	●	●	●
	14,000	4.0	—	●	●	●
	18,000	5.0	—	—	●	●
	7,000	2.0	●	●	●	●
	9,000	2.5	●	●	●	●
	12,000	3.5	●	●	●	●
	14,000	4.0	—	●	●	●
	7,000	2.0	●	●	●	●
	9,000	2.5	●	●	●	●
	12,000	3.5	●	●	●	●
	14,000	4.0	—	●	●	●
 NEW	22,000	6.0	—	—	●	●
	18,000	5.0	—	—	●	●
 NEW	18,000	5.0	—	—	●	●
	22,000	6.0	—	—	●	●



Type	6-unit	8-unit	
Model name	AOYG45LBA6	AOYG45LBT8	
Multi-split Type Outdoor Unit			
Capacity (kW)	Cooling	12.5	14.0
	Heating	13.5	16.0

Indoor Unit	BTU	kW Class	6-unit	8-unit
	7,000	2.0	●	●
	9,000	2.5	●	●
	12,000	3.5	●	●
	14,000	4.0	●	●
	18,000	5.0	●	●
	24,000	7.0	●	●
	9,000	2.5	●	●
	12,000	3.5	●	●
	14,000	4.0	●	●
	7,000	2.0	●	●
	9,000	2.5	●	●
	12,000	3.5	●	●
	14,000	4.0	●	●
 ABYG18LVTB	14,000	4.0	●	●
	18,000	5.0	●	●
	7,000	2.0	●	—
	9,000	2.5	●	—
	12,000	3.5	●	—
	14,000	4.0	●	—
	7,000	2.0	●	●
	9,000	2.5	●	●
	12,000	3.5	●	●
	14,000	4.0	●	●
	18,000	5.0	●	●

Simultaneous Multi-split Connectable Indoor Units



Type	4HP		5HP		6HP	
Model name	AOYG36KBTB	AOYG36KRTA	AOYG45KBTB	AOYG45KRTA	AOYG54KBTB	AOYG54KRTA
Simultaneous Multi-split Type Outdoor Unit						
Capacity (kW)	Cooling	9.5	12.1	13.4	13.4	
	Heating	10.8	13.5	15.5	15.5	

Indoor Unit	BTU	kW Class	Twin			Triple
 AUXG18/22/24KVLA	18,000	5.0	● × 2	–	–	● × 3
	22,000	6.5	–	● × 2	–	–
	24,000	7.0	–	–	● × 2	–
 ARXG18KLLAP	18,000	5.0	● × 2	–	–	● × 3
	22,000	6.5	–	● × 2	–	–
	24,000	7.0	–	–	● × 2	–
 ARXG22KMLB ARXG24KMLA	22,000	6.5	–	● × 2	–	–
	24,000	7.0	–	–	● × 2	–
	Separation tube			UTP-SX236A (18/22/24)		UTP-SX354A (18)



Type	8HP	10HP	
Model name	AOYG72LRLA	AOYG90LRLA	
Simultaneous Multi-split Outdoor Unit			
Capacity (kW)	Cooling	19.0	22.0
	Heating	22.4	27.0

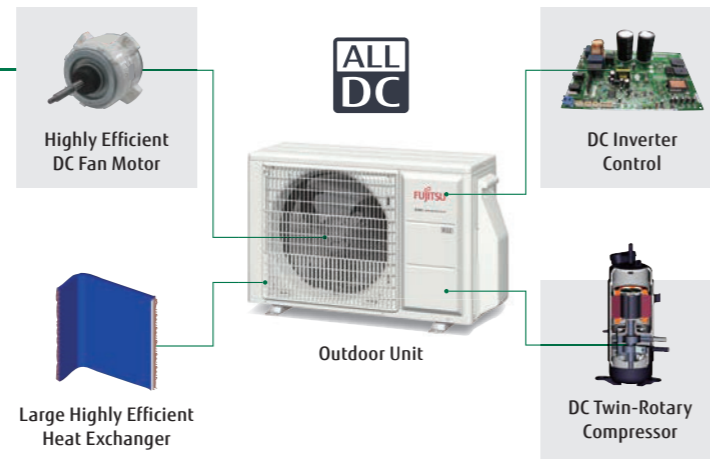
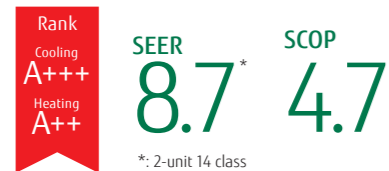
Indoor Unit	BTU	kW Class	Twin	Triple	Double Twin	Twin	Triple	Double Twin
 AUYG18/22/24LV	18,000	5.0	–	–	● × 4	–	–	–
	22,000	6.5	–	–	–	–	–	● × 4
	24,000	7.0	–	● × 3	–	–	–	–
 AUYG30/36/45LR	30,000	8.8	–	–	–	–	● × 3	–
	36,000	10.6	● × 2	–	–	–	–	–
	45,000	12.5	–	–	–	● × 2	–	–
 ARYG18LLTB	18,000	5.0	–	–	● × 4	–	–	–
	22,000	6.5	–	–	–	–	–	● × 4
	24,000	7.0	–	● × 3	–	–	–	–
 ARYG22/24/30/36/45LM	30,000	8.8	–	–	–	–	● × 3	–
	36,000	10.6	● × 2	–	–	–	–	–
	45,000	12.5	–	–	–	● × 2	–	–
	Separation tube			UTP-SX272A × 1	UTP-SX372A × 1	UTP-SX272A × 1, UTP-SX236A × 2	UTP-SX272A × 1	UTP-SX372A × 1
 ABYG18/22/24LV	18,000	5.0	–	–	● × 4	–	–	–
	22,000	6.5	–	–	–	–	–	● × 4
	24,000	7.0	–	● × 3	–	–	–	–
 ABYG30/36/45LR	30,000	8.8	–	–	–	–	● × 3	–
	36,000	10.6	● × 2	–	–	–	–	–
	45,000	12.5	–	–	–	● × 2	–	–

2-unit,
3-unit,
4-unit,
5-unit,
Multi-split



High energy saving

With the adoption of a high-efficiency DC twin-rotary compressor, all models achieved an energy efficiency scale of A+++ for cooling and A++ for heating.



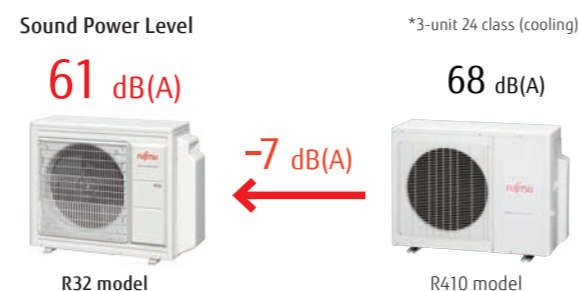
R32 refrigerant model

In addition to its high energy efficiency, the R32 refrigerant has a larger volumetric capacity than the R410A refrigerant, which means the R32 refrigerant models require less refrigerant charge than the R410A models.

	Pre-charge refrigerant amount (kg)	
	REFRIGERANT R32	REFRIGERANT R410A
2-unit 14 class	0.9	1.25
2-unit 18 class	1.02	1.30
3-unit 18 class	1.8	2.2
3-unit 24 class	1.8	2.2
4-unit 30 class	2.2	3.3
5-unit 36 class	2.5	4.0

Quiet operation

The sound power level is reduced by up to 7 dB compared to the current R410 models.



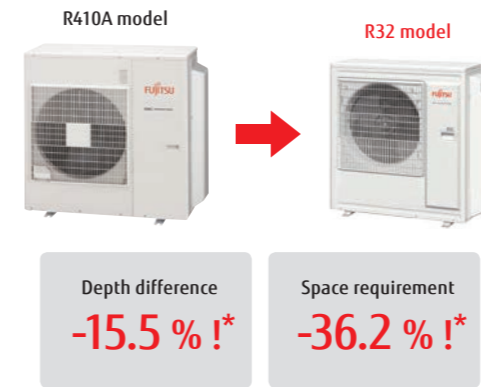
Space-saving installation

Multiple indoor units can be connected to 1 outdoor unit by long piping as well. Unlike a single type, the outdoor unit can be installed in the most space-saving location.



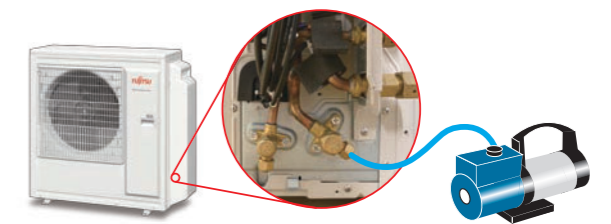
Compact design

Unlike a single type, the outdoor unit can be installed in the most space-saving location.



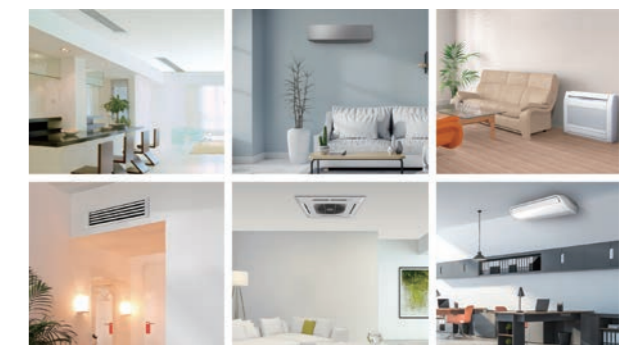
Easy evacuation

All connected pipes and indoor units can be evacuated quickly via our centralized valve method. Requires evacuation only once.



Wide range of indoor units with various models

We offer 41 models in 5 types in a capacity range from 2.0 kW to 6.0 kW. Wide range of requirements can be realized from private homes through to large shops and hotels



Models equipped with the New R32 Refrigerant

Wall-mounted type with sophisticated design



Middle and small capacity models are available. This makes installation easier in small spaces.



2-unit: AOYG14KBTA2/AOYG18KBTA2
 3-unit: **NEW** AOYG18KBTA3/ **NEW** AOYG24KBTA3
 4-unit: **NEW** AOYG30KBTA4
 5-unit: **NEW** AOYG36KBTA5



Specifications (2-unit)

Model name			AOYG14KBTA2	AOYG18KBTA2
Power Source			Single phase, ~230 V, 50 Hz	
Rated Capacity (Min. - Max.)	Cooling	kW	4.0 (1.4-4.6)	5.0 (1.7-5.8)
	Heating		4.4 (1.1-5.5)	5.6 (1.8-6.6)
EER	Cooling	W/W	4.12	4.03
	Heating		4.63	4.59
Sound Pressure Level (High)	Cooling	dB(A)	47	47
	Heating		49	50
Sound Power Level (High)	Cooling	dB(A)	60	60
	Heating		62	62
Airflow Rate	Cooling/Heating	m ³ /h	1,670/1,670	1,960/2,020
Net Dimensions H × W × D			542 × 799 × 290	632 × 799 × 290
Weight			33 (73)	37 (82)
Connection Pipe Diameter	Liquid	mm	6.35 × 2	6.35 × 2
	Gas		9.52 × 2	9.52 × 2
Max. Pipe Length			30/20	30/20
Max. Height Difference	Between Outdoor Unit and Each Indoor Unit	m	15	15
	Between Indoor Units		10	10
Operating Range	Cooling	°CDB	-10 to 46	-10 to 46
	Heating		-15 to 24	-15 to 24
Refrigerant	Type (Global Warming Potential)	kg (CO ₂ eq-T)	R32 (675)	R32 (675)
	Charge		0.9 (0.608)	1.02 (0.689)

Specifications (3-unit)

Model name			AOYG18KBTA3	AOYG24KBTA3
Power Source			Single phase, ~230 V, 50 Hz	
Rated Capacity (Min. - Max.)	Cooling	kW	5.4 (1.8-7.0)	6.8 (1.8-8.5)
	Heating		6.8 (2.0-8.0)	8.0 (2.0-9.2)
EER	Cooling	W/W	4.78	3.90
	Heating		4.89	4.40
Sound Pressure Level (High)	Cooling	dB(A)	46	48
	Heating		49	53
Sound Power Level (High)	Cooling	dB(A)	59	61
	Heating		61	67
Airflow Rate	Cooling/Heating	m ³ /h	2,220/2,160	2,270/2,730
Net Dimensions H × W × D			716 × 820 × 315	716 × 820 × 315
Weight			46 (102)	46 (102)
Connection Pipe Diameter	Liquid	mm	6.35 × 3	6.35 × 3
	Gas		9.52 × 3	9.52 × 2, 12.70 × 1 adapter [12.70 → 9.52] × 1
Max. Pipe Length			50/25	50/25
Max. Height Difference	Between Outdoor Unit and Each Indoor Unit	m	15	15
	Between Indoor Units		10	10
Operating Range	Cooling	°CDB	-10 to 46	-10 to 46
	Heating		-15 to 24	-15 to 24
Refrigerant	Type (Global Warming Potential)	kg (CO ₂ eq-T)	R32 (675)	R32 (675)
	Charge		1.8 (1.215)	1.8 (1.215)

Specifications (4-unit, 5-unit)

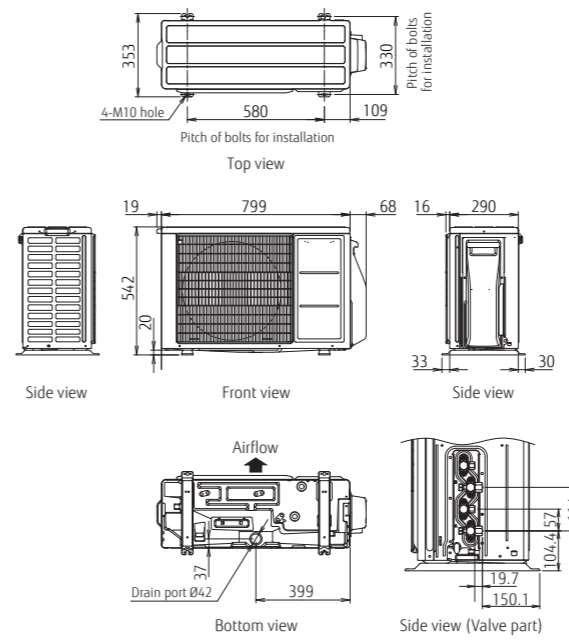
Model name			AOYG30KBTA4	AOYG36KBTA5
Power Source			Single phase, ~230 V, 50 Hz	
Rated Capacity (Min. - Max.)	Cooling	kW	8.0 (2.4-10.1)	9.5 (3.0-11.0)
	Heating		9.6 (3.0-11.2)	10.6 (3.5-12.0)
EER	Cooling	W/W	3.90	3.80
	Heating		4.55	4.50
Sound Pressure Level (High)	Cooling	dB(A)	50	52
	Heating		54	55
Sound Power Level (High)	Cooling	dB(A)	63	65
	Heating		66	68
Airflow Rate	Cooling/Heating	m ³ /h	2,400/2,950	2,450/2,900
Net Dimensions H × W × D			884 × 820 × 315	884 × 820 × 315
Weight			55 (121)	59 (130)
Connection Pipe Diameter	Liquid	mm	6.35 × 4	6.35 × 5
	Gas		9.52 × 2, 12.70 × 2 adapter [12.70 → 9.52] × 2	9.52 × 3, 12.70 × 2 adapter [12.70 → 9.52] × 2 adapter [9.52 → 12.70] × 1
Max. Pipe Length*			70/25	75/25
Max. Height Difference	Between Outdoor Unit and Each Indoor Unit	m	15	15
	Between Indoor Units		10	10
Operating Range	Cooling	°CDB	-10 to 46	-10 to 46
	Heating		-15 to 24	-15 to 24
Refrigerant	Type (Global Warming Potential)	kg (CO ₂ eq-T)	R32 (675)	R32 (675)
	Charge		2.2 (1.485)	2.5 (1.688)

*Length not applicable when floor units are connected. For details, refer to the installation manual.

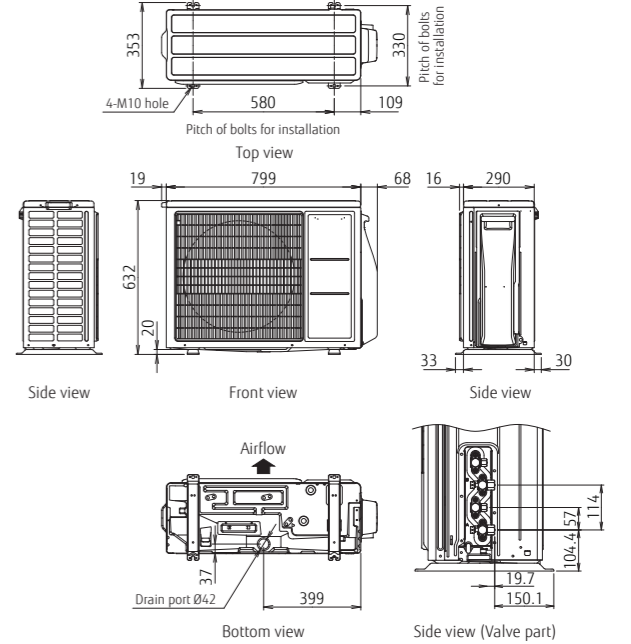
Dimensions

(Unit: mm)

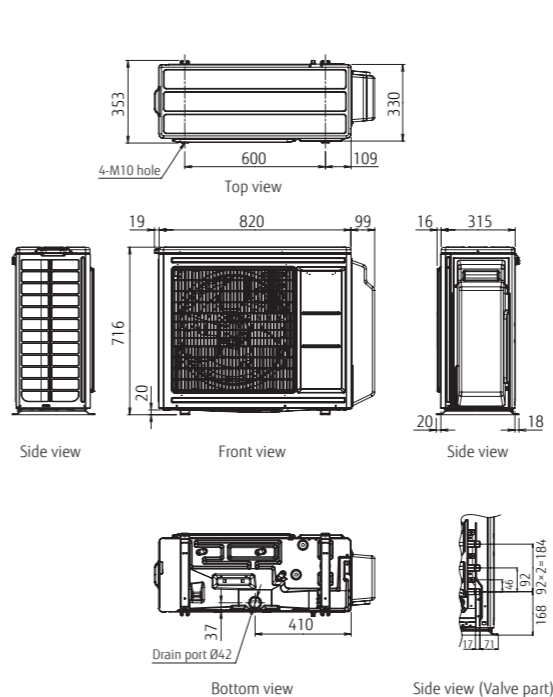
2-unit: AOYG14KBTA2



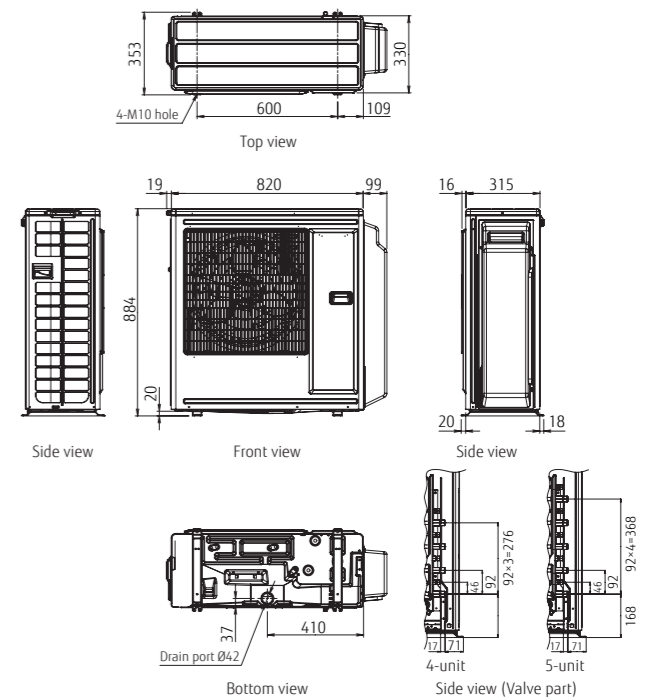
2-unit: AOYG18KBTA2



3-unit: AOYG18KBTA3/AOYG24KBTA3



4-unit: AOYG30KBTA4
5-unit: AOYG36KBTA5



6-unit Multi-split



6-unit: AOYG45LBLA6

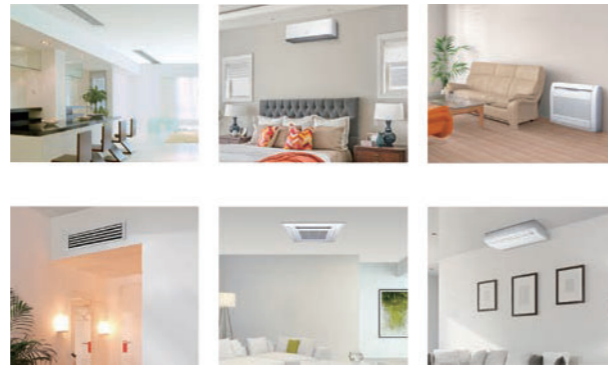


Specifications (5-unit, 6-unit)

Model name		AOYG45LBLA6	
Power Source		Single phase, ~230 V, 50 Hz	
Rated Capacity (Min. - Max.)	Cooling	kW	12.5 (3.5-14.0)
	Heating		13.5 (3.5-16.0)
EER	Cooling	W/W	3.50
	Heating		4.00
Sound Pressure Level (High)	Cooling	dB(A)	53
	Heating		55
Sound Power Level (High)	Cooling	-	-
	Heating		-
Airflow Rate	Cooling/Heating	m ³ /h	4,200/4,200
Net Dimensions H × W × D		mm	998 × 970 × 370
Weight		kg (lbs)	94 (207)
Connection Pipe Diameter	Liquid	mm	6.35 × 6
	Gas		9.52 × 4, 12.70 × 2
Max. Pipe Length	Total/Each		80/25
	Max. Height Difference	Between Outdoor Unit and Each Indoor Unit.	
Between Indoor Units.		10	
Operating Range	Cooling	°CDB	-10 to 46
	Heating		-15 to 24
Refrigerant	Type (Global Warming Potential)		R410A (2,088)
	Charge	kg (CO2eq-T)	4.00 (8.352)

A wide variety of models to choose from

We offer 16 models in 4 types in a capacity range from 2.0 kW to 4.0 kW. Wide range of requirements can be realized from private homes through to large shops and hotels.



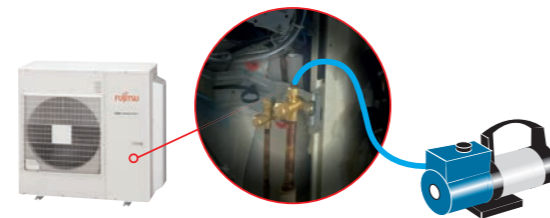
Compact design

Multiple indoor units can be connected to 1 outdoor unit by long piping as well. Unlike a single type, the outdoor unit can be installed in the most space-saving location.



Easy installation

All connected pipes and indoor units can be evacuated quickly via our centralized valve method. Requires evacuation only once.



Central & Individual Control

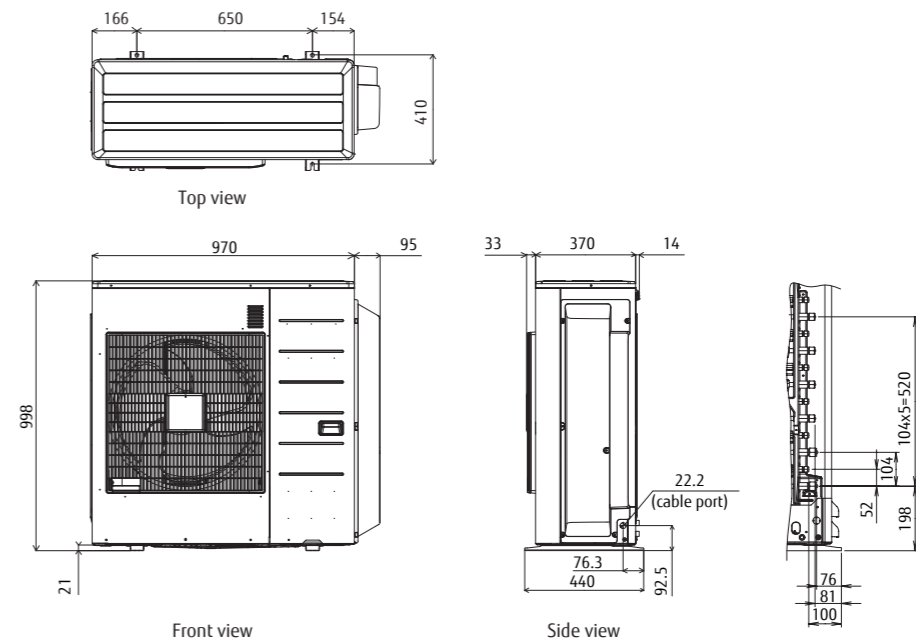
- Batched control of up to 8 indoor units. Unified setting of room temperature, airflow volume, and local control restrictions across units.
- Language can be selected from English, French, German, Greek, Italian, Portuguese, Russian, Spanish, or Turkish.
- Large backlit LED screen
- Large easy-to-see operation panel

Max. Controllable
1 multi-system
Max. Controllable
8 indoor units

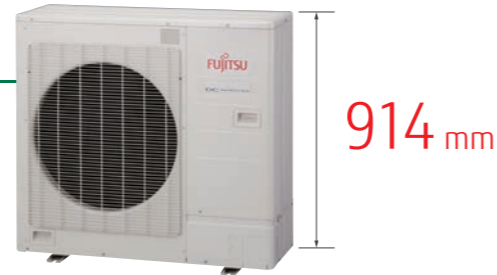


Dimensions

(Unit: mm)



8-unit Multi-split

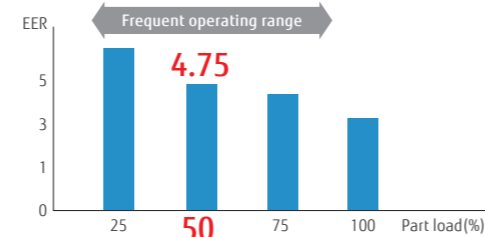


Compact outdoor unit

The compact design outdoor unit can be installed below a window or in a narrow space.

High seasonal energy efficiency

An air conditioner operates under a wide range of outdoor temperatures depending on the season and climate conditions. Moreover, a multi-split system does not have to cool or warm every room in a house or building all the time. This means that an air conditioner operates at partial capacity, instead of rated capacity, for more than 90% of its operation time. Therefore, we pay attention to the energy-saving performance of our air conditioners based on real-world usage. The use of our all DC design and proprietary inverter system significantly improves the energy efficiency of our air conditioners operating in partial-load efficiency.



Innovated technology

High-efficiency large fan:
Incorporates high-efficiency fan.

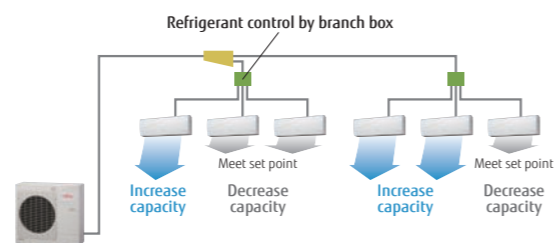
DC fan motor:
The use of a small DC motor achieves both high performance and high efficiency.

Heat exchanger:
The use of high-density piping and the 3-row design achieves a compact and energy-efficient heat exchanger.

High-efficiency DC twin-rotary compressor:
A high-performance, low noise, large-capacity DC twin-rotary compressor is used.

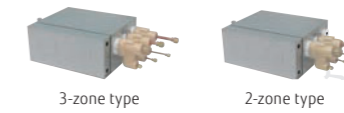
Optimized refrigerant control for faster air conditioning

Optimized refrigerant control allows for faster cooling of every room in a house or building to the desired temperature.



8-unit: AOYG45LBT8

Branch Box: UTP-PY03A/UTP-PY02A



Specifications (Outdoor unit/Branch box)

Outdoor Unit Model Name		AOYG45LBT8	
Maximum Connectable Indoor Unit		8	
Connectable capacity range of indoor units		Cooling	11.2 - 18.2 kW
Power source		Single phase, ~230 V, 50 Hz	
Rated Capacity	Cooling	kW	14.0
	Heating	kW	16.0
Input Power	Cooling	kW	5.20
	Heating	kW	5.07
Airflow rate	Cooling	m ³ /h	4,650
	Heating	m ³ /h	4,800
Sound Pressure Level	Cooling	dB(A)	56
	Heating	dB(A)	58
Heat Exchanger Fin		Plate fin coil	
Net Dimensions H × W × D		mm	914 × 970 × 370
Weight		kg (lbs)	98 (216)
Connection Pipe Diameter (Liquid/Gas)		mm	9.52/15.88
Max. Pipe Length		m	115 (Total)
Max. Height Difference (O.U ~ I.U)		m	30
Operating Range	Cooling	°CDB	-5 to 46
	Heating	°CDB	-15 to 24
Refrigerant	Type (Global Warming Potential)	R410A (2,088)	
	Charge	kg (CO2eq-T)	3.45 (7.204)

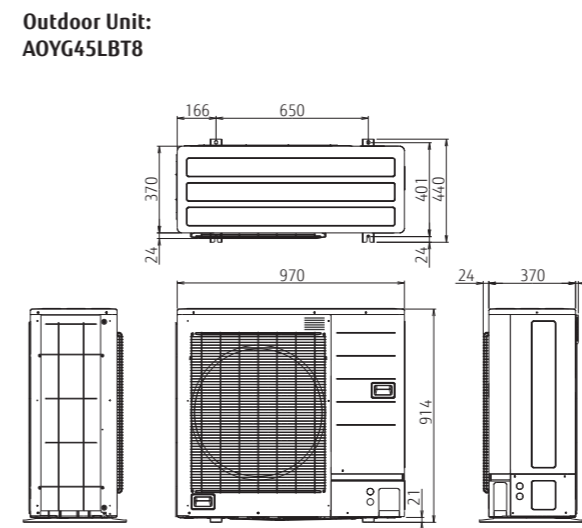
Branch Box Model Name		UTP-PY03A	UTP-PY02A
Connectable Indoor Unit		1 to 3 Units	1 to 2 Units
Power source		Single phase, ~230 V, 50 Hz	Single phase, ~230 V, 50 Hz
Available Voltage Range		198-264 V	198-264 V
Power Consumption		W	10
Running Current		A	0.05
Net Dimensions H × W × D		mm	195 × 433 × 370
Weight		kg (lbs)	9 (20)
Connection pipe diameter	Liquid	Main: 9.52 × 1, Branch: 6.35 × 3	
	Gas	Main: 15.88 × 1, Branch: 12.70 × 3	
	Method	Flare	

Notes: Specifications are determined based on the following conditions:

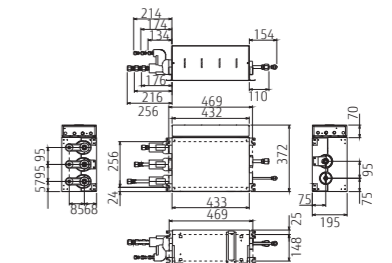
- Two indoor units (7-kW class each) are connected.
- Measured in the manufacturer's anechoic chamber.
- Cooling: Indoor temp. of 27°CDB/19°CWB, outdoor temp. of 35°CDB/24°CWB Heating: Indoor temp. of 20°CDB/15°CWB, outdoor temp. of 7°CDB/6°CWB
- Pipe length: 5 m (Outdoor unit - Branch box), 3 m (Branch box - Indoor unit) Height difference: 0 m

Dimensions

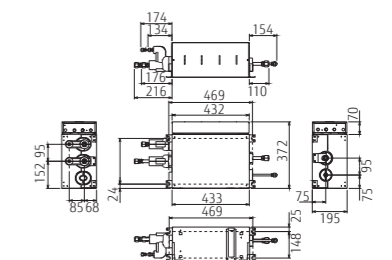
(Unit: mm)



Branch Box: UTP-PY03A (3-zone type)



Branch Box: UTP-PY02A (2-zone type)



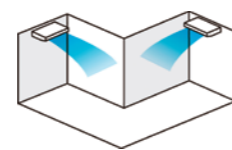
Simultaneous Multi-split Type Twin/Triple



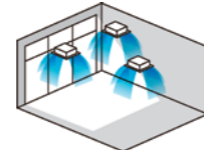
Meets a variety of installation needs from offices to commercial spaces, with up to 3 indoor units in the same room connected to an outdoor unit.

Select indoor units according to floor layout and heat load estimated by the number of people working in the room and the direction and intensity of sunlight entering the room. Perfect airflow distribution can be achieved for optimum comfort.

Installation according to floor layout



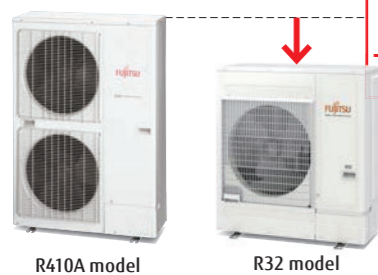
Installation according to lighting conditions



Design flexibility

Slim & Compact Design

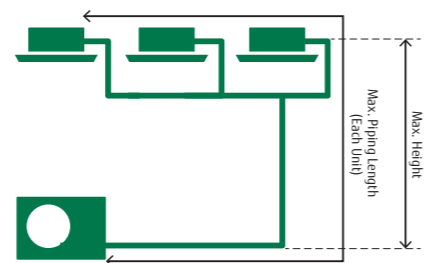
The outdoor unit in this series is 22.7% shorter* than a twin-fan outdoor unit. The reduced height makes it easy to install in tight spaces.



Height -22.7%*
(*: Applicable to the 45,000- and 54,000-BTU models)

Flexible installation

Pipe length of up to 50 m and a height difference of up to 30 m can be accommodated. Multi-split systems can be installed in large residences and multi-storey buildings.



Max. Pipe Length (Each Unit): **50 m**
Max. Height: **30 m**

New lineup of indoor units

The indoor units, available in 6 models of 3 types, can be selected according to room size and conditions.



Model: AOYG36KBTB/AOYG45KBTB/AOYG54KBTB
AOYG36KRTA [3-phase]/AOYG45KRTA [3-phase]/AOYG54KRTA [3-phase]



Specifications (Indoor units/Outdoor units)

Indoor Units Model name	Compact Cassette		
	AUXG18KVLA	AUXG22KVLA	AUXG24KVLA
Power Source	Single phase, ~230 V, 50 Hz		
Airflow Rate	Cooling Heating	H/M/L/Q H/M/L/Q	m ³ /h
Net Dimensions H × W × D	mm		
Weight	kg (lbs)		
Cassette Grille	UTG-UFYF-W		

Indoor Units Model name	Duct		
	ARXG18KLLAP	ARXG22KMLB	ARXG24KMLA
Power Source	Single phase, ~230 V, 50 Hz		
Airflow Rate	Cooling Heating	H/M/L/Q H/M/L/Q	m ³ /h
Net Dimensions H × W × D	mm		
Weight	kg (lbs)		

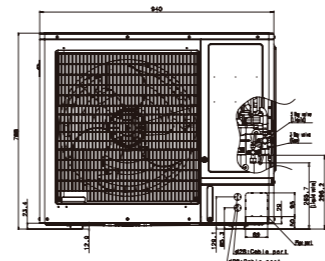
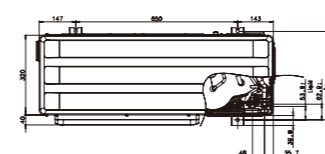
Outdoor Units Model name	AOYG36KBTB	AOYG45KBTB	AOYG54KBTB	AOYG36KRTA	AOYG45KRTA	AOYG54KRTA
	Capacity	Cooling Heating	kW		9.5 10.8	12.1 13.5
Power Source	Single phase, ~230 V, 50 Hz			3-phase, ~400 V, 50 Hz		
Pdesign	Cooling Heating (-10°C)	kW		9.5 8.7	- -	- -
SEER	Cooling	W/W		6.10	-	-
SCOP	Heating	W/W		4.00	-	-
Annual Energy Consumption	Cooling Heating	kWh/a		545 3,044	- -	- -
Energy Efficiency Class	Cooling Heating	-		A+ A+	- -	- -
Sound Pressure Level (High)	Cooling Heating	dB(A)		55 55	57 57	57 59
Sound Power Level (High)	Cooling Heating	-		70 70	71 71	73 73
Airflow Rate	Cooling/Heating	m ³ /h		3,750/3,750	4,450/4,450	4,450/4,450
Net Dimensions H × W × D	mm		788 × 940 × 320	998 × 940 × 320	998 × 940 × 320	788 × 940 × 320
Weight	kg (lbs)		52 (115)	67 (148)	67 (148)	53 (117)
Connection Pipe Diameter (Liquid/Gas)	mm		9.52/15.88	9.52/15.88	9.52/15.88	9.52/15.88
Max. Pipe Length (Pre-Charge)	m		50 (30)	50 (30)	50 (30)	50 (30)
Max. Height Difference	-		30	30	30	30
Operating Range	Cooling Heating	°CDB		-15 to 46 -15 to 24	-15 to 46 -15 to 24	-15 to 46 -15 to 24
Refrigerant	Type (Global Warming Potential)	R32 (675)		R32 (675)	R32 (675)	R32 (675)
Charge	kg (CO ₂ eq-T)	1.90 (1.283)		2.70 (1.823)	2.70 (1.823)	1.90 (1.283)
Separation tube	UTP-SX236A (Twin)		UTP-SX236A (Twin)	UTP-SX236A (Twin) UTP-SX354A (Triple)	UTP-SX236A (Twin)	UTP-SX236A (Twin) UTP-SX354A (Triple)

• Indoor units of different types and capacity cannot be connected.
• The above specifications apply when used with a cassette type indoor unit.

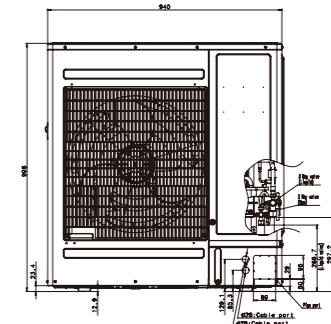
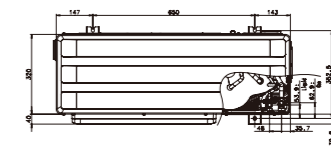
Dimensions

(Unit: mm)

AOYG36KBTB/AOYG36KRTA



AOYG45KBTB/AOYG54KBTB AOYG45KRTA/AOYG54KRTA

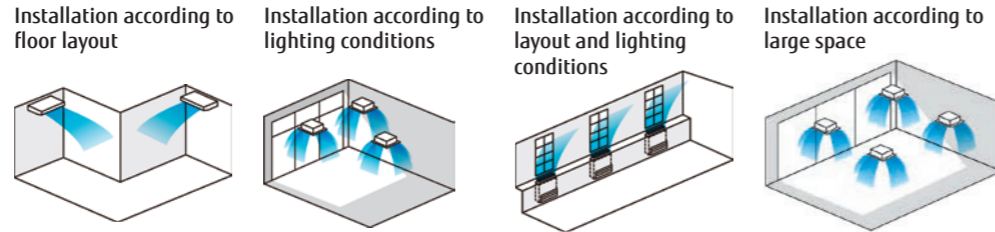


Simultaneous Multi-split Type Twin/Triple/Double Twin



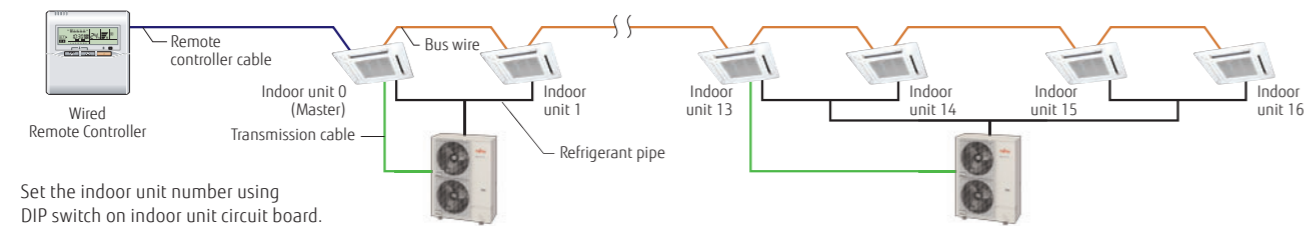
Meets a variety of installation needs from an open-plan office to a retail store, with up to 4 indoor units connected to an outdoor unit.

Select indoor units according to floor layout and heat load estimated by the number of people working in the room and the direction and intensity of sunlight entering the room. Perfect airflow distribution can be achieved for optimum comfort.



Simultaneous control

Up to 16 indoor units can be controlled simultaneously with a wired remote controller.

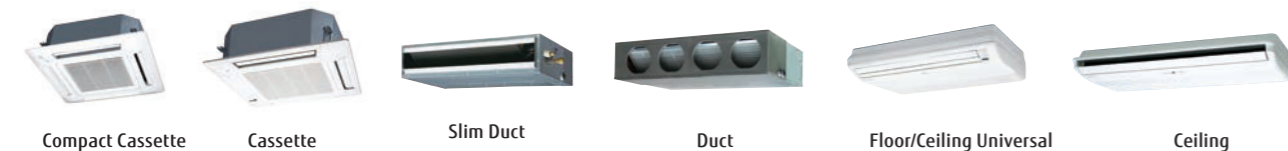


Set the indoor unit number using DIP switch on indoor unit circuit board.

*The following functions are not provided by a wireless remote controller: Timer operation, Sleep Timer operation, 10°C Heat operation

Indoor unit lineup

The indoor units, available in 18 models of 6 types, can be selected according to room size and conditions.



Model: AOYG72LRLA [3-phase]/AOYG90LRLA [3-phase]



Specifications (Indoor units/Outdoor units)

Indoor Units Model name		Compact Cassette, Cassette							
		AUYG18LVLB	AUYG22LVLA	AUYG24LVLA	AUYG30LRLE	AUYG36LRLE	AUYG45LRLA		
Power Source		Single phase, ~230 V, 50 Hz							
Airflow Rate	Cooling	H/M/L/Q	m ³ /h	750/610/520/410	930/830/600/450	930/830/600/450	1,600/1,400/1,270/1,150	1,800/1,400/1,270/1,150	1,900/1,640/1,460/1,250
	Heating	H/M/L/Q	m ³ /h	800/710/600/450	930/860/700/530	930/830/600/450	1,800/1,400/1,270/1,150	1,800/1,400/1,270/1,150	1,900/1,640/1,460/1,250
Net Dimensions H × W × D		mm		245 × 570 × 570	245 × 570 × 570	245 × 570 × 570	288 × 840 × 840	288 × 840 × 840	288 × 840 × 840
Weight		kg (lbs)		15 (33)	16 (35)	16 (35)	26 (57)	26 (57)	26 (57)
Cassette Grille		UTG-UFYD-W							

Indoor Units Model name		Duct							
		ARYG18LLTB	ARYG22LMLA	ARYG24LMLA	ARYG30LMLE	ARYG36LMLE	ARYG45LMLA		
Power Source		Single phase, ~230 V, 50 Hz							
Airflow Rate	Cooling	H/M/L/Q	m ³ /h	940/880/820/750	1,100/910/750/580	1,100/910/750/580	1,900/1,620/1,270/980	1,900/1,620/1,270/980	2,100/1,750/1,350/1,070
	Heating	H/M/L/Q	m ³ /h	940/880/820/750	1,100/910/750/580	1,100/910/750/580	2,100/1,620/1,270/980	2,100/1,620/1,270/980	2,100/1,750/1,350/1,070
Net Dimensions H × W × D		mm		198 × 900 × 620	270 × 1135 × 700	270 × 1135 × 700	270 × 1135 × 700	270 × 1135 × 700	270 × 1135 × 700
Weight		kg (lbs)		23 (51)	38 (84)	38 (84)	40 (88)	40 (88)	40 (88)

Indoor Units Model name		Floor/Ceiling, Ceiling							
		ABYG18LVTB	ABYG22LVTA	ABYG24LVTA	ABYG30LRTE	ABYG36LRTE	ABYG45LRTE		
Power Source		Single phase, ~230 V, 50 Hz							
Airflow Rate	Cooling	H/M/L/Q	m ³ /h	780/700/560/500	980/820/680/540	980/820/680/540	1,660/1,500/1,200/1,000	1,900/1,500/1,200/1,000	2,100/1,700/1,400/1,100
	Heating	H/M/L/Q	m ³ /h	780/700/560/500	980/820/680/540	980/820/680/540	1,660/1,500/1,200/1,000	1,900/1,500/1,200/1,000	2,100/1,700/1,400/1,100
Net Dimensions H × W × D		mm		199 × 990 × 655	199 × 990 × 655	199 × 990 × 655	240 × 1660 × 700	240 × 1660 × 700	240 × 1660 × 700
Weight		kg (lbs)		27 (60)	27 (60)	27 (60)	46 (101)	46 (101)	46 (101)

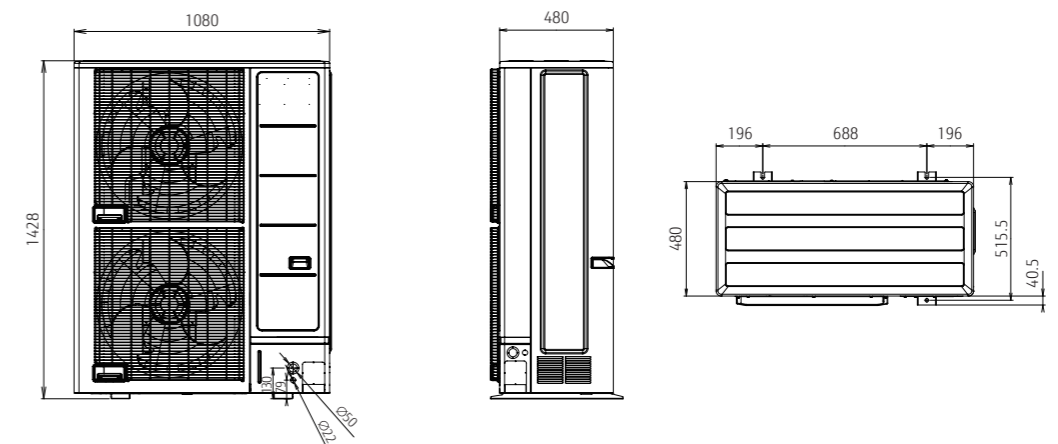
Outdoor Units Model name		AOYG72LRLA		AOYG90LRLA	
		Capacity	Cooling/Heating kW	Capacity	Cooling/Heating kW
Capacity		19.0	22.4	22.0	27.0
Power Source		3-phase, ~400 V, 50 Hz			
Sound Pressure Level (High)		55/55		55/57	
Airflow Rate		8,400/8,400		8,400/9,000	
Net Dimensions H × W × D		1,428 × 1,080 × 480		1,428 × 1,080 × 480	
Weight		163 (359)		172 (379)	
Connection Pipe Diameter (Liquid/Gas)		12.7/25.4		12.7/25.4	
Max. Pipe Length (Pre-Charge)		100 (30)		100 (30)	
Max. Height Difference		30		30	
Operating Range		-15 to 46		-15 to 46	
Refrigerant		R410A (2,088)		R410A (2,088)	
Separation tube		UTP-SX272A × 1 (Twin)	UTP-SX372A × 1 (Triple)	UTP-SX272A × 1 (Twin)	UTP-SX372A × 1 (Triple)
		UTP-SX272A × 1 UTP-SX254A × 2 (Double Twin)		UTP-SX272A × 1 UTP-SX254A × 2 (Double Twin)	

*: That specification is not fixed yet.

• Indoor units of different types and capacity cannot be connected.
• The above specifications apply when used with a cassette type indoor unit.

Dimensions

(Unit: mm)



New 2-unit to 5-unit Multi-split Indoor Units Specifications

Wall-mounted type



Model name	Indoor unit		ASYG07KGTB	ASYG09KGTB	ASYG12KGTB	ASYG14KGTB
kW Class			2.0	2.5	3.5	4.0
Power Source			Single phase, ~230 V, 50 Hz			
Sound Pressure Level	Cooling	H/M/L/Q	38/33/29/21	40/34/29/21	40/35/30/21	43/36/30/21
	Heating		41/35/31/22	42/36/31/22	42/38/33/22	44/39/33/24
Sound Power Level	Cooling	H	54	55	56	57
	Heating		56	57	58	59
Airflow Rate	Cooling	H/M/L/Q	650/540/430/270	700/560/430/270	700/560/430/270	770/600/450/280
	Heating		720/580/460/330	750/610/470/330	770/640/520/330	800/660/520/340
Net Dimensions			mm 270 × 834 × 215			
Weight			kg (lbs) 10 (22)			
Connection Pipe Diameter	Liquid/Gas		mm 6.35/9.52			

Wall-mounted type



Model name	Indoor unit		ASYG07KETA ASYG07KETA-B	ASYG09KETA ASYG09KETA-B	ASYG12KETA ASYG12KETA-B	ASYG14KETA ASYG14KETA-B
kW Class			2.0	2.5	3.5	4.0
Power Source			Single phase, ~230 V, 50 Hz			
Sound Pressure Level	Cooling	H/M/L/Q	38/33/29/21	40/34/29/21	40/35/30/21	43/36/30/21
	Heating		41/35/31/22	42/36/31/22	42/38/33/22	44/39/33/24
Sound Power Level	Cooling	H	54	55	55	57
	Heating		56	57	58	59
Airflow Rate	Cooling	H/M/L/Q	650/540/430/270	700/560/430/270	700/560/430/270	770/600/450/280
	Heating		720/580/460/330	750/610/470/330	770/640/520/330	800/660/520/340
Net Dimensions			mm 295 × 950 (wall side: 840) × 230			
Weight			kg (lbs) 11(24)			
Connection Pipe Diameter	Liquid/Gas		mm 6.35/9.52			

Wall-mounted type



Model name	Indoor unit		ASYG07KMCC	ASYG09KMCC	ASYG12KMCC	ASYG14KMCC
kW Class			2.0	2.5	3.5	4.0
Power Source			Single phase, ~230 V, 50 Hz			
Sound Pressure Level	Cooling	H/M/L/Q	38/33/29/21	40/34/29/21	40/35/30/21	43/36/30/21
	Heating		41/35/31/22	42/36/31/22	42/38/33/22	44/39/33/24
Sound Power Level	Cooling	H	54	55	55	57
	Heating		56	57	58	59
Airflow Rate	Cooling	H/M/L/Q	650/540/430/320	700/560/430/320	700/560/430/320	770/600/450/310
	Heating		720/580/460/330	750/610/470/330	780/640/520/330	820/660/520/340
Net Dimensions			mm 270 × 834 × 222			
Weight			kg (lbs) 10 (22)			
Connection Pipe Diameter	Liquid/Gas		mm 6.35/9.52			

Wall-mounted type



Model name	Indoor unit		ASYG18KMTB	ASYG22KMTB	ASYG24KMTB
kW Class			5.0	6.0	7.0
Power Source			Single phase, ~230 V, 50 Hz		
Sound Pressure Level	Cooling	H/M/L/Q	45/40/35/29	48/40/35/29	49/40/35/29
	Heating		46/40/35/29	48/40/35/29	49/40/35/29
Sound Power Level	Cooling	H	60	62	65
	Heating		61	62	65
Airflow Rate	Cooling	H/M/L/Q	980/810/640/510	1,060/810/640/510	1,170/850/640/510
	Heating		1,020/850/640/510	1,060/850/640/510	1,170/850/640/510
Net Dimensions			mm 280 × 980 × 240		
Weight			kg (lbs) 12.5 (27)		
Connection Pipe Diameter	Liquid/Gas		mm 6.35/12.70		

Floor



Model name	Indoor unit		AGYG09KVCA	AGYG12KVCA	AGYG14KVCA
kW Class			2.5	3.5	4.0
Power Source			Single phase, ~230 V, 50 Hz		
Sound Pressure Level	Cooling	H/M/L/Q	39/34/28/22	42/36/30/22	44/38/31/22
	Heating		39/35/30/22	42/38/32/22	44/39/33/22
Sound Power Level	Cooling	H	52	55	56
	Heating		52	55	56
Airflow Rate	Cooling	H/M/L/Q	530/440/360/270	600/490/380/270	650/520/400/270
	Heating		530/460/380/270	600/510/410/270	650/540/430/270
Net Dimensions			mm 600 × 740 × 200		
Weight			kg (lbs) 14 (31)		
Connection Pipe Diameter	Liquid/Gas		mm 6.35/9.52		

Ceiling



Model name	Indoor unit		ABYG18KRTA	ABYG22KRTA
kW Class			5.0	6.0
Power Source			Single phase, ~230 V, 50 Hz	
Sound Pressure Level	Cooling	H/M/L/Q	38/36/33/31	42/37/34/31
	Heating		38/36/33/31	42/37/34/31
Sound Power Level	Cooling	H	53	57
	Heating		53	57
Airflow Rate	Cooling	H/M/L/Q	840/790/710/650	900/790/710/650
	Heating		840/790/710/650	900/790/710/650
Net Dimensions			mm 235 × 1,080 × 705	
Weight			kg (lbs) 24(52)	
Connection Pipe Diameter	Liquid/Gas		mm 6.35/12.70	

Compact Cassette Grid Type



Model name	Indoor unit		AUXG07KVLA	AUXG09KVLA	AUXG12KVLA	AUXG14KVLA	AUXG18KVLA	AUXG22KVLA
kW Class			2.0	2.5	3.5	4.0	5.0	6.0
Power Source			Single phase, ~230 V, 50 Hz					
Sound Pressure Level	Cooling	H/M/L/Q	33/31/29/27	33/31/29/27	37/34/31/28	38/35/32/29	38/35/32/29	44/42/36/30
	Heating		34/32/29/27	34/32/29/27	37/34/31/29	43/38/34/30	43/38/34/30	45/43/40/33
Sound Power Level	Cooling	H	46	46	49	50	50	56
	Heating		47	47	49	55	55	57
Airflow Rate	Cooling	H/M/L/Q	540/490/440/390	540/490/440/390	610/530/470/410	680/580/490/410	680/580/490/410	830/740/600/450
	Heating		540/490/440/390	540/490/440/390	610/530/470/410	790/680/580/450	790/680/580/450	860/760/700/530
Net Dimensions			mm 245 × 570 × 570					
Weight			kg (lbs) 15 (33)					
Panel			UTG-UFYF-W					
Connection Pipe Diameter	Liquid/Gas		mm 6.35/9.52					

Mini duct



Model name	Indoor unit		ARXG07KSLAP	ARXG09KSLAP	ARXG12KSLAP	ARXG14KSLAP	ARXG18KSLAP
kW Class			2.0	2.5	3.5	4.0	5.0
Power Source			Single phase, ~230 V, 50 Hz				
Sound Pressure Level	Cooling	H/M/L/Q	29/26/24/23	29/26/24/23	31/27/25/23	35/30/27/23	33/29/26/23
	Heating		29/26/24/23	29/26/24/23	31/27/25/23	35/30/27/23	33/29/26/23
Sound Power Level	Cooling	H	52	54	55	60	58
	Heating		53	56	57	62	59
Airflow Rate	Cooling	H/M/L/Q	550/440/390/360	600/450/400/360	650/490/430/360	800/640/530/360	940/750/540/480
	Heating		550/440/390/360	600/450/400/360	650/490/430/360	800/640/530/360	940/750/540/480
Net Dimensions			mm 198 × 700 × 450				
Weight			kg (lbs) 15.5 (34)				
Connection Pipe Diameter	Liquid/Gas		mm 6.35/9.52				
External static pressure			Pa 0 to 30				
Drain pump			Standard				

Slim duct



Model name	Indoor unit		ARXG07KLLAP	ARXG09KLLAP	ARXG12KLLAP	ARXG14KLLAP	ARXG18KLLAP
kW Class			2.0	2.5	3.5	4.0	5.0
Power Source			Single phase, ~230 V, 50 Hz				
Sound Pressure Level	Cooling	H/M/L/Q	28/26/25/24	28/27/26/25	29/28/27/26	32/30/28/26	32/30/29/27
	Heating		28/26/25/24	28/26/25/24	29/28/27/24	32/30/28/25	32/30/29/27
Sound Power Level	Cooling	H	57	57	58	60	58
	Heating		57	57	58	60	58
Airflow Rate	Cooling	H/M/L/Q	550/490/470/440	600/550/500/450	650/600/550/480	800/700/600/480	940/880/820/750
	Heating		550/490/470/440	600/550/500/450	650/600/550/480	800/700/600/480	940/880/820/750
Net Dimensions			mm 198 × 700 × 620				
Weight			kg (lbs) 17 (37)				
Connection Pipe Diameter	Liquid/Gas		mm 6.35/9.52				
External static pressure			Pa 0 to 90				
Drain pump			Standard				

Medium Static Pressure Duct



Model name	Indoor unit		ARXG22KMLB
kW Class			6.0
Power Source			Single phase, ~230 V, 50 Hz
Sound Pressure Level	Cooling	H/M/L/Q	31/29/27/25
	Heating		31/29/27/25
Sound Power Level	Cooling	H	60
	Heating		62
Airflow Rate	Cooling	H/M/L/Q	1,100/910/750/580
	Heating		1,100/910/750/580
Net Dimensions			mm 270 × 1,135 × 700
Weight			kg (lbs) 35 (77)
Connection Pipe Diameter	Liquid/Gas		mm 6.35/12.70
External static pressure			Pa 30 to 150
Drain pump			Standard

6-unit to 8-unit Multi-split Indoor Units Specifications

Compact wall-mounted



Model name	Indoor unit			ASYG07LUCA	ASYG09LUCA	ASYG12LUCA	ASYG14LUCA
kW Class	kW			2.0	2.5	3.5	4.0
Power Source	Single phase, ~230 V, 50 Hz						
Sound Pressure Level	Cooling	H/M/L/Q	dB(A)	35/30/28/21	36/32/28/21	37/34/31/21	41/36/33/25
	Heating			35/30/28/21	36/32/28/21	37/34/31/21	41/36/34/27
Sound Power Level	Cooling	H	dB(A)	53	54	55	59
	Heating			53	54	55	59
Airflow Rate	Cooling	H/M/L/Q	m³/h	570/520/470/330	600/550/470/330	660/600/530/330	710/640/570/390
	Heating			570/520/470/330	600/550/470/330	660/600/530/330	710/640/590/430
Net Dimensions	mm			282 × 870 × 185	282 × 870 × 185	282 × 870 × 185	282 × 870 × 185
Weight	kg (lbs)			9.5 (21)	9.5 (21)	9.5 (21)	9.5 (21)
Connection Pipe Diameter	Liquid/Gas	mm		6.35/9.52	6.35/9.52	6.35/9.52	6.35/12.70

Wall-mounted type



Model name	Indoor unit			ASYG18LFCA	ASYG24LFCC
kW Class	kW			5.0	7.0
Power Source	Single phase, ~230 V, 50 Hz				
Sound Pressure Level	Cooling	H/M/L/Q	dB(A)	43/37/33/26	49/42/37/33
	Heating			42/37/33/25	48/42/37/33
Sound Power Level	Cooling	H	dB(A)	58	64
	Heating			58	64
Airflow Rate	Cooling	H/M/L/Q	m³/h	900/740/620/550	1,120/900/740/620
	Heating			900/740/620/550	1,100/900/740/620
Net Dimensions	mm			320 × 998 × 238	320 × 998 × 238
Weight	kg (lbs)			14 (31)	14 (31)
Connection Pipe Diameter	Liquid/Gas	mm		6.35/12.70	6.35/15.88

Compact wall-mounted



Model name	Indoor unit			ASYG07LMCE	ASYG09LMCE	ASYG12LMCE	ASYG14LMCE
kW Class	kW			2.0	2.5	3.5	4.0
Power Source	Single phase, ~230 V, 50 Hz						
Sound Pressure Level	Cooling	H/M/L/Q	dB(A)	36/32/29/21	37/33/29/21	40/36/30/21	42/38/33/25
	Heating			36/32/29/22	37/33/29/22	40/36/31/22	42/38/35/27
Sound Power Level	Cooling	H	dB(A)	51	52	54	56
	Heating			51	52	55	57
Airflow Rate	Cooling	H/M/L/Q	m³/h	560/500/430/310	600/520/430/310	660/560/450/310	730/600/530/360
	Heating			560/500/430/330	600/520/430/330	660/560/470/330	730/615/560/375
Net Dimensions	mm			270 × 870 × 204	270 × 870 × 204	270 × 870 × 204	270 × 870 × 204
Weight	kg (lbs)			8.5 (19)	8.5 (19)	8.5 (19)	8.5 (19)
Connection Pipe Diameter	Liquid/Gas	mm		6.35/9.52	6.35/9.52	6.35/9.52	6.35/12.70

Floor



Model name	Indoor unit			AGYG09LVCA	AGYG12LVCA	AGYG14LVCA
kW Class	kW			2.5	3.5	4.0
Power Source	Single phase, ~230 V, 50 Hz					
Sound Pressure Level	Cooling	H/M/L/Q	dB(A)	39/34/28/22	42/36/30/22	44/38/31/22
	Heating			39/35/30/22	42/38/32/22	44/39/33/22
Sound Power Level	Cooling	H	dB(A)	52	55	56
	Heating			52	55	56
Airflow Rate	Cooling	H/M/L/Q	m³/h	530/440/360/270	600/490/380/270	650/520/400/270
	Heating			530/460/380/270	600/510/410/270	650/540/430/270
Net Dimensions	mm			600 × 740 × 200	600 × 740 × 200	600 × 740 × 200
Weight	kg (lbs)			14 (31)	14 (31)	14 (31)
Connection Pipe Diameter	Liquid/Gas	mm		6.35/9.52	6.35/9.52	6.35/12.70

Floor ceiling



Model name	Indoor unit			ABYG14LVTA	ABYG18LVTB
kW Class	kW			4.0	5.0
Power Source	Single phase, ~230 V, 50 Hz				
Sound Pressure Level	Cooling	H/M/L/Q	dB(A)	36/34/33/29 (Under ceiling) 39/37/36/32 (Floor console)	41/38/34/32 (Under ceiling) 44/41/37/35 (Floor console)
	Heating			36/34/33/29 (Under ceiling) 39/37/36/32 (Floor console)	41/38/34/32 (Under ceiling) 44/41/37/35 (Floor console)
Sound Power Level	Cooling	H	dB(A)	51	55
	Heating			51	55
Airflow Rate	Cooling	H/M/L/Q	m³/h	640/590/540/480	780/700/560/500
	Heating			640/590/540/480	780/700/560/500
Net Dimensions	mm			199 × 990 × 655	199 × 990 × 655
Weight	kg (lbs)			27 (60)	27 (60)
Connection Pipe Diameter	Liquid/Gas	mm		6.35/12.70	6.35/12.70

Compact cassette



Model name	Indoor unit			AUYG07LVLA	AUYG09LVLA	AUYG12LVLB	AUYG14LVLB	AUYG18LVLB
kW Class	kW			2.0	2.5	3.5	4.0	5.0
Power Source	Single phase, ~230 V, 50 Hz							
Sound Pressure Level	Cooling	H/M/L/Q	dB(A)	33/31/29/27	33/31/29/27	37/33/31/28	40/35/32/29	42/37/33/29
	Heating			34/32/29/27	34/32/29/27	37/33/31/28	40/37/34/29	44/40/37/30
Sound Power Level	Cooling	H	dB(A)	46	46	49	52	54
	Heating			47	47	49	52	56
Airflow Rate	Cooling	H/M/L/Q	m³/h	540/490/440/390	540/490/440/390	610/530/470/410	680/580/490/410	750/610/520/410
	Heating			540/490/440/390	540/490/440/390	610/530/470/410	700/620/550/430	800/710/600/450
Net Dimensions	mm			245 × 570 × 570	245 × 570 × 570	245 × 570 × 570	245 × 570 × 570	245 × 570 × 570
Weight	kg (lbs)			15 (33)	15 (33)	15 (33)	15 (33)	15 (33)
Panel				UTG-UFYD-W				
Connection Pipe Diameter	Liquid/Gas	mm		6.35/9.52	6.35/9.52	6.35/9.52	6.35/12.70	6.35/12.70

Mini duct



Model name	Indoor unit			ARYG07LSLAP	ARYG09LSLAP	ARYG12LSLAP	ARYG14LSLAP	ARYG18LSLAP
kW Class	kW			2.0	2.5	3.5	4.0	5.0
Power Source	Single phase, ~230 V, 50 Hz							
Sound Pressure Level	Cooling	H/M/L/Q	dB(A)	29/26/24/23	29/26/24/23	31/27/25/23	35/30/27/23	33/29/26/23
	Heating			29/26/24/23	29/26/24/23	31/27/25/23	35/30/27/23	33/29/26/23
Sound Power Level	Cooling	H	dB(A)	52	54	55	60	58
	Heating			53	56	57	62	59
Airflow Rate	Cooling	H/M/L/Q	m³/h	550/440/390/360	600/450/400/360	650/490/430/360	800/640/530/360	940/750/540/480
	Heating			550/440/390/360	600/450/400/360	650/490/430/360	800/640/530/360	940/750/540/480
Net Dimensions	mm			198 × 700 × 450	198 × 700 × 450	198 × 700 × 450	198 × 700 × 450	198 × 900 × 450
Weight	kg (lbs)			15.5 (33)				
Connection Pipe Diameter	Liquid/Gas	mm		6.35/9.52			6.35/12.70	
External static pressure	Pa			0 to 30			0 to 50	
Drain pump	Standard							

Slim duct



Model name	Indoor unit			ARYG07LLTA	ARYG09LLTA	ARYG12LLTB	ARYG14LLTB	ARYG18LLTB
kW Class	kW			2.0	2.5	3.5	4.0	5.0
Power Source	Single phase, ~230 V, 50 Hz							
Sound Pressure Level	Cooling	H/M/L/Q	dB(A)	28/26/25/24	28/27/26/25	29/28/27/26	32/30/28/26	32/31/30/29
	Heating			28/26/25/24	28/26/25/24	29/28/27/24	33/30/28/25	33/32/31/29
Sound Power Level	Cooling	H	dB(A)	57	57	58	60	58
	Heating			57	57	58	61	59
Airflow Rate	Cooling	H/M/L/Q	m³/h	550/490/470/440	600/550/500/450	650/600/550/480	800/700/600/480	940/880/820/750
	Heating			550/490/470/440	600/550/500/450	650/600/550/480	800/700/600/480	940/880/820/750
Net Dimensions	mm			198 × 700 × 620	198 × 700 × 620	198 × 700 × 620	198 × 700 × 620	198 × 900 × 620
Weight	kg (lbs)			17 (37)	19 (42)	19 (42)	19 (42)	23 (51)
Connection Pipe Diameter	Liquid/Gas	mm		6.35/9.52	6.35/9.52	6.35/9.52	6.35/12.7	6.35/12.70
External static pressure	Pa			0 to 90				
Drain pump	Standard							

2-unit Multi-split Combination Table-Cooling/Heating

2-unit Multi-split cooling

AOYG14KBTAAZ	Combination of Indoor Units		Cooling Operation				Seasonal Data			
			Cooling Capacity			Input Power (Min. - Max.) kW	EER	Pdesign kW	SEER	Energy efficiency class
			Unit 1 kW	Unit 2 kW	Total Capacity (Min. - Max.) kW					
2-unit connection	7	7	2.00	2.00	4.00 (1.4-4.6)	0.97 (0.25-1.20)	4.12	4.0	8.7	A+++
	7	9	1.75	2.25	4.00 (1.4-4.6)	0.97 (0.25-1.20)	4.12	4.0	8.7	A+++
	7	12	1.47	2.53	4.00 (1.4-4.6)	0.97 (0.25-1.20)	4.12	4.0	8.7	A+++
	9	9	2.00	2.00	4.00 (1.4-4.6)	0.97 (0.25-1.20)	4.12	4.0	8.7	A+++
	9	12	1.71	2.29	4.00 (1.4-4.6)	0.97 (0.25-1.20)	4.12	4.0	8.7	A+++

Notes: •7: 7000 Btu/h/9: 9000 Btu/h/12: 12000 Btu/h models
 •The above specifications apply when connected with a wall-mounted [KG] unit.
 •2 or more indoor units should be connected.
 •Cooling capacity is determined based on 27°CDB/19°CWB (indoor temperature) and 35°CDB (outdoor temperature).
 •Pipe Length: 5 m, Height difference: 0 m (Outdoor unit to Indoor unit)
 •Total capacity of indoor units connected must be between 4.0 kW and 6.0 kW.

AOYG18KBTAAZ	Combination of Indoor Units		Cooling Operation				Seasonal Data			
			Cooling Capacity			Input Power (Min. - Max.) kW	EER	Pdesign kW	SEER	Energy efficiency class
			Unit 1 kW	Unit 2 kW	Total Capacity (Min. - Max.) kW					
2-unit connection	7	7	2.00	2.00	4.00 (1.7-5.0)	0.92 (0.25-1.23)	4.35	4.0	8.8	A+++
	7	9	2.00	2.50	4.50 (1.7-5.7)	1.07 (0.25-1.45)	4.22	4.5	8.7	A+++
	7	12	1.84	3.16	5.00 (1.7-5.8)	1.24 (0.25-1.55)	4.03	5.0	8.6	A+++
	7	14	1.67	3.33	5.00 (1.7-5.8)	1.24 (0.25-1.55)	4.03	5.0	8.6	A+++
	9	9	2.50	2.50	5.00 (1.7-5.8)	1.24 (0.25-1.55)	4.03	5.0	8.6	A+++
	9	12	2.14	2.86	5.00 (1.7-5.8)	1.24 (0.25-1.55)	4.03	5.0	8.6	A+++
	9	14	1.96	3.04	5.00 (1.7-5.8)	1.24 (0.25-1.55)	4.03	5.0	8.6	A+++
	12	12	2.50	2.50	5.00 (1.7-5.8)	1.24 (0.25-1.55)	4.03	5.0	8.6	A+++
	12	14	2.31	2.69	5.00 (1.7-5.8)	1.24 (0.25-1.55)	4.03	5.0	8.6	A+++

Notes: •7: 7000 Btu/h/9: 9000 Btu/h/12: 12000 Btu/h/14: 14000 Btu/h models
 •The above specifications apply when connected with a wall-mounted [KG] unit.
 •2 or more indoor units should be connected.
 •Cooling capacity is determined based on 27°CDB/19°CWB (indoor temperature) and 35°CDB (outdoor temperature).
 •Pipe Length: 5 m, Height difference: 0 m (Outdoor unit to Indoor unit)
 •Total capacity of indoor units connected must be between 4.0 kW and 7.5 kW.

2-unit Multi-split heating

AOYG14KBTAAZ	Combination of Indoor Units		Heating Operation				Seasonal Data			
			Heating Capacity			Input Power (Min. - Max.) kW	COP	Pdesign kW	SCOP	Energy efficiency class
			Unit 1 kW	Unit 2 kW	Total Capacity (Min. - Max.) kW					
2-unit connection	7	7	2.20	2.20	4.40 (1.1-5.5)	0.95 (0.25-1.65)	4.63	3.5	4.7	A++
	7	9	1.92	2.48	4.40 (1.1-5.5)	0.95 (0.25-1.65)	4.63	3.5	4.7	A++
	7	12	1.62	2.78	4.40 (1.1-5.5)	0.95 (0.25-1.65)	4.63	3.5	4.7	A++
	9	9	2.20	2.20	4.40 (1.1-5.5)	0.95 (0.25-1.65)	4.63	3.5	4.7	A++
	9	12	1.89	2.51	4.40 (1.1-5.5)	0.95 (0.25-1.65)	4.63	3.5	4.7	A++

Notes: •7: 7000 Btu/h/9: 9000 Btu/h/12: 12000 Btu/h models
 •The above specifications apply when connected with a wall-mounted [KG] unit.
 •2 or more indoor units should be connected.
 •Heating capacity is determined based on 20°CDB (indoor temperature) and 7°CDB/6°CWB (outdoor temperature).
 •Pipe Length: 5 m, Height difference: 0 m (Outdoor unit to Indoor unit)
 •Total capacity of indoor units connected must be between 4.0 kW and 6.0 kW.

AOYG18KBTAAZ	Combination of Indoor Units		Heating Operation				Seasonal Data			
			Heating Capacity			Input Power (Min. - Max.) kW	COP	Pdesign kW	SCOP	Energy efficiency class
			Unit 1 kW	Unit 2 kW	Total Capacity (Min. - Max.) kW					
2-unit connection	7	7	2.40	2.40	4.80 (1.7-5.6)	0.99 (0.25-1.35)	4.85	3.8	4.7	A++
	7	9	2.40	3.00	5.40 (1.7-6.4)	1.15 (0.25-1.60)	4.70	4.0	4.7	A++
	7	12	2.06	3.54	5.60 (1.7-7.0)	1.22 (0.25-1.80)	4.59	4.2	4.7	A++
	7	14	1.87	3.73	5.60 (1.7-7.0)	1.22 (0.25-1.80)	4.59	4.2	4.7	A++
	9	9	2.80	2.80	5.60 (1.7-7.0)	1.22 (0.25-1.80)	4.59	4.2	4.7	A++
	9	12	2.40	3.20	5.60 (1.7-7.0)	1.22 (0.25-1.80)	4.59	4.2	4.7	A++
	9	14	2.19	3.41	5.60 (1.7-7.0)	1.22 (0.25-1.80)	4.59	4.2	4.7	A++
	12	12	2.80	2.80	5.60 (1.7-7.0)	1.22 (0.25-1.80)	4.59	4.2	4.7	A++
	12	14	2.58	3.02	5.60 (1.7-7.0)	1.22 (0.25-1.80)	4.59	4.2	4.7	A++

Notes: •7: 7000 Btu/h/9: 9000 Btu/h/12: 12000 Btu/h/14: 14000 Btu/h models
 •The above specifications apply when connected with a wall-mounted [KG] unit.
 •2 or more indoor units should be connected.
 •Heating capacity is determined based on 20°CDB (indoor temperature) and 7°CDB/6°CWB (outdoor temperature).
 •Pipe Length: 5 m, Height difference: 0 m (Outdoor unit to Indoor unit)
 •Total capacity of indoor units connected must be between 4.0 kW and 7.5 kW.

3-unit Multi-split Combination Table-Cooling/Heating

3-unit Multi-split cooling

AOYG18KBTA3	Combination of Indoor Units			Cooling Operation					Seasonal Data			
				Cooling Capacity			Input Power (Min. - Max.) kW	EER	Pdesign kW	SEER	Energy efficiency	
				Unit 1 kW	Unit 2 kW	Unit 3 kW						Total Capacity (Min. - Max.) kW
2-unit connection	7	7	-	2.00	2.00	-	4.00 (1.8-5.0)	0.86 (0.35-1.35)	4.65	4.0	8.3	A++
	7	9	-	2.00	2.50	-	4.50 (1.8-5.7)	1.03 (0.35-1.54)	4.36	4.5	8.2	A++
	7	12	-	1.99	3.41	-	5.40 (1.8-6.8)	1.41 (0.35-1.85)	3.83	5.4	8.0	A++
	7	14	-	1.80	3.60	-	5.40 (1.8-7.0)	1.41 (0.35-1.90)	3.83	5.4	8.0	A++
	9	9	-	2.50	2.50	-	5.00 (1.8-6.4)	1.23 (0.35-1.74)	4.06	5.0	8.1	A++
	9	12	-	2.31	3.09	-	5.40 (1.8-7.0)	1.41 (0.35-1.90)	3.83	5.4	8.0	A++
	9	14	-	2.11	3.29	-	5.40 (1.8-7.0)	1.41 (0.35-1.90)	3.83	5.4	8.0	A++
	12	12	-	2.70	2.70	-	5.40 (1.8-7.0)	1.41 (0.35-1.90)	3.83	5.4	8.0	A++
	12	14	-	2.49	2.91	-	5.40 (1.8-7.0)	1.41 (0.35-1.90)	3.83	5.4	8.0	A++
	14	14	-	2.70	2.70	-	5.40 (1.8-7.0)	1.41 (0.35-1.90)	3.83	5.4	8.0	A++
	7	7	7	1.80	1.80	1.80	5.40 (1.8-7.0)	1.13 (0.35-1.90)	4.78	5.4	8.6	A+++
	7	7	9	1.64	1.64	2.12	5.40 (1.8-7.0)	1.13 (0.35-1.90)	4.78	5.4	8.6	A+++
3-unit connection	7	7	12	1.45	1.45	2.50	5.40 (1.8-7.0)	1.13 (0.35-1.90)	4.78	5.4	8.6	A+++
	7	7	14	1.35	1.35	2.70	5.40 (1.8-7.0)	1.13 (0.35-1.90)	4.78	5.4	8.6	A+++
	7	9	9	1.52	1.94	1.94	5.40 (1.8-7.0)	1.13 (0.35-1.90)	4.78	5.4	8.6	A+++
	7	9	12	1.35	1.74	2.31	5.40 (1.8-7.0)	1.13 (0.35-1.90)	4.78	5.4	8.6	A+++
	7	9	14	1.26	1.62	2.52	5.40 (1.8-7.0)	1.13 (0.35-1.90)	4.78	5.4	8.6	A+++
	9	9	9	1.80	1.80	1.80	5.40 (1.8-7.0)	1.13 (0.35-1.90)	4.78	5.4	8.6	A+++
	9	9	12	1.62	1.62	2.16	5.40 (1.8-7.0)	1.13 (0.35-1.90)	4.78	5.4	8.6	A+++

AOYG24KBTA3	Combination of Indoor Units			Cooling Operation					Seasonal Data				
				Cooling Capacity			Input Power (Min. - Max.) kW	EER	Pdesign kW	SEER	Energy efficiency		
				Unit 1 kW	Unit 2 kW	Unit 3 kW						Total Capacity (Min. - Max.) kW	
2-unit connection	7	7	-	2.00	2.00	-	4.00 (1.8-5.0)	0.86 (0.35-1.35)	4.65	4.0	8.3	A++	
	7	9	-	2.00	2.50	-	4.50 (1.8-5.7)	1.03 (0.35-1.54)	4.36	4.5	8.2	A++	
	7	12	-	2.00	3.50	-	5.50 (1.8-6.8)	1.46 (0.35-1.85)	3.77	5.5	8.0	A++	
	7	14	-	2.00	4.00	-	6.00 (1.8-7.5)	1.73 (0.35-2.20)	3.48	6.0	7.6	A++	
	7	18	-	1.90	4.90	-	6.80 (1.8-8.5)	2.26 (0.35-2.65)	3.01	6.8	6.9	A++	
	9	9	-	2.50	2.50	-	5.00 (1.8-6.4)	1.23 (0.35-1.74)	4.06	5.0	8.1	A++	
	9	12	-	2.50	3.50	-	6.00 (1.8-7.5)	1.73 (0.35-2.20)	3.48	6.0	7.6	A++	
	9	14	-	2.50	4.00	-	6.50 (1.8-8.2)	2.04 (0.35-2.46)	3.19	6.5	7.2	A++	
	9	18	-	2.27	4.53	-	6.80 (1.8-8.5)	2.26 (0.35-2.65)	3.01	6.8	6.9	A++	
	12	12	-	3.40	3.40	-	6.80 (1.8-8.5)	2.26 (0.35-2.65)	3.01	6.8	6.9	A++	
	12	14	-	3.14	3.66	-	6.80 (1.8-8.5)	2.26 (0.35-2.65)	3.01	6.8	6.9	A++	
	12	18	-	2.72	4.08	-	6.80 (1.8-8.5)	2.26 (0.35-2.65)	3.01	6.8	6.9	A++	
	14	14	-	3.40	3.40	-	6.80 (1.8-8.5)	2.26 (0.35-2.65)	3.01	6.8	6.9	A++	
	14	18	-	2.98	3.82	-	6.80 (1.8-8.5)	2.26 (0.35-2.65)	3.01	6.8	6.9	A++	
	3-unit connection	7	7	7	2.00	2.00	2.00	6.00 (1.8-7.5)	1.37 (0.35-2.20)	4.37	6.0	8.6	A+++
		7	7	9	2.00	2.00	2.50	6.50 (1.8-8.2)	1.59 (0.35-2.46)	4.08	6.5	8.5	A+++
7		7	12	1.83	1.83	3.14	6.80 (1.8-8.5)	1.74 (0.35-2.65)	3.90	6.8	8.5	A+++	
7		7	14	1.70	1.70	3.40	6.80 (1.8-8.5)	1.74 (0.35-2.65)	3.90	6.8	8.5	A+++	
7		7	18	1.49	1.49	3.82	6.80 (1.8-8.5)	1.74 (0.35-2.65)	3.90	6.8	8.5	A+++	
7		9	9	1.90	2.45	2.45	6.80 (1.8-8.5)	1.74 (0.35-2.65)	3.90	6.8	8.5	A+++	
7		9	12	1.70	2.19	2.91	6.80 (1.8-8.5)	1.74 (0.35-2.65)	3.90	6.8	8.5	A+++	
7		9	14	1.59	2.04	3.17	6.80 (1.8-8.5)	1.74 (0.35-2.65)	3.90	6.8	8.5	A+++	
7		9	18	1.40	1.80	3.60	6.80 (1.8-8.5)	1.74 (0.35-2.65)	3.90	6.8	8.5	A+++	
7		12	12	1.54	2.63	2.63	6.80 (1.8-8.5)	1.74 (0.35-2.65)	3.90	6.8	8.5	A+++	
7		12	14	1.44	2.47	2.89	6.80 (1.8-8.5)	1.74 (0.35-2.65)	3.90	6.8	8.5	A+++	
7		14	14	1.36	2.72	2.72	6.80 (1.8-8.5)	1.74 (0.35-2.65)	3.90	6.8	8.5	A+++	
9		9	9	2.27	2.27	2.27	6.80 (1.8-8.5)	1.74 (0.35-2.65)	3.90	6.8	8.5	A+++	
9		9	12	2.04	2.04	2.72	6.80 (1.8-8.5)	1.74 (0.35-2.65)	3.90	6.8	8.5	A+++	
9		9	14	1.91	1.91	2.98	6.80 (1.8-8.5)	1.74 (0.35-2.65)	3.90	6.8	8.5	A+++	
9		9	18	1.70	1.70	3.40	6.80 (1.8-8.5)	1.74 (0.35-2.65)	3.90	6.8	8.5	A+++	
9		12	12	1.86	2.47	2.47	6.80 (1.8-8.5)	1.74 (0.35-2.65)	3.90	6.8	8.5	A+++	
9		12	14	1.75	2.33	2.72	6.80 (1.8-8.5)	1.74 (0.35-2.65)	3.90	6.8	8.5	A+++	
12		12	12	2.27	2.27	2.27	6.80 (1.8-8.5)	1.74 (0.35-2.65)	3.90	6.8	8.5	A+++	

Notes: •7: 7000 Btu/h/9: 9000 Btu/h/12: 12000 Btu/h/14: 14000 Btu/h/18: 18000 Btu/h models
 •The above specifications apply when connected with a wall-mounted unit.
 •2 or more indoor units should be connected.
 •Cooling capacity is determined based on 27°CDB/19°CWB (indoor temperature) and 35°CDB (outdoor temperature).
 •Pipe Length: 5 m, Height difference: 0 m (Outdoor unit to Indoor unit)
 •Total capacity of indoor units connected must be between 4.0 kW and 10.5 kW.

3-unit Multi-split heating

AOYG18KBTA3	Combination of Indoor Units			Heating Operation					Seasonal Data			
				Heating Capacity			Input Power (Min. - Max.) kW	COP	Pdesign kW	SCOP	Energy efficiency	
				Unit 1 kW	Unit 2 kW	Unit 3 kW						Total Capacity (Min. - Max.) kW
2-unit connection	7	7	-	2.40	2.40	-	4.80 (2.0-5.6)	1.00 (0.25-1.30)	4.80	4.0	4.2	A+
	7	9	-	2.40	3.00	-	5.40 (2.0-6.4)	1.21 (0.25-1.48)	4.45	4.0	4.2	A+
	7	12	-	2.40	4.20	-	6.60 (2.0-7.6)	1.66 (0.25-1.76)	3.98	5.0	4.0	A+
	7	14	-	2.27	4.53	-	6.80 (2.0-8.0)	1.77 (0.25-1.85)	3.84	5.0	4.0	A+
	9	9	-	3.00	3.00	-	6.00 (2.0-7.2)	1.44 (0.25-1.67)	4.17	4.5	4.1	A+
	9	12	-	2.91	3.89	-	6.80 (2.0-8.0)	1.77 (0.25-1.85)	3.84	5.0	4.0	A+
	9	14	-	2.66	4.14	-	6.80 (2.0-8.0)	1.77 (0.25-1.85)	3.84	5.0	4.0	A+
	12	12	-	3.40	3.40	-	6.80 (2.0-8.0)	1.77 (0.25-1.85)	3.84	5.0	4.0	A+
	12	14	-	3.14	3.66	-	6.80 (2.0-8.0)	1.77 (0.25-1.85)	3.84	5.0	4.0	A+
	14	14	-	3.40	3.40	-	6.80 (2.0-8.0)	1.77 (0.25-1.85)	3.84	5.0	4.0	A+
	7	7	7	2.27	2.27	2.27	6.80 (2.0-8.0)	1.39 (0.25-1.85)	4.89	5.0	4.7	A++
	7	7	9	2.07	2.07	2.66	6.80 (2.0-8.0)	1.39 (0.25-1.85)	4.89	5.0	4.7	A++
3-unit connection	7	7	12	1.83	1.83	3.14	6.80 (2.0-8.0)	1.39 (0.25-1.85)	4.89	5.0	4.7	A++
	7	7	14	1.70	1.70	3.40	6.80 (2.0-8.0)	1.39 (0.25-1.85)	4.89	5.0	4.7	A++
	7	9	9	1.90	2.45	2.45	6.80 (2.0-8.0)	1.39 (0.25-1.85)	4.89	5.0	4.7	A++
	7	9	12	1.70	2.19	2.91	6.80 (2.0-8.0)	1.39 (0.25-1.85)	4.89	5.0	4.7	A++
	7	9	14	1.59	2.04	3.17	6.80 (2.0-8.0)	1.39 (0.25-1.85)	4.89	5.0	4.7	A++
	9	9	9	2.27	2.27	2.27	6.80 (2.0-8.0)	1.39 (0.25-1.85)	4.89	5.0	4.7	A++
	9	9	12	2.04	2.04	2.72	6.80 (2.0-8.0)	1.39 (0.25-1.85)	4.89	5.0	4.7	A++

AOYG24KBTA3	Combination of Indoor Units			Heating Operation					Seasonal Data				
				Heating Capacity			Input Power (Min. - Max.) kW	COP	Pdesign kW	SCOP	Energy efficiency		
				Unit 1 kW	Unit 2 kW	Unit 3 kW						Total Capacity (Min. - Max.) kW	
2-unit connection	7	7	-	2.40	2.40	-	4.80 (2.0-5.6)	1.00 (0.25-1.30)	4.80	4.0	4.2	A+	
	7	9	-	2.40	3.00	-	5.40 (2.0-6.4)	1.21 (0.25-1.48)	4.45	4.0	4.2	A+	
	7	12	-	2.40	4.20	-	6.60 (2.0-7.6)	1.66 (0.25-1.76)	3.98	5.0	4.0	A+	
	7	14	-	2.40	4.80	-	7.20 (2.0-8.4)	1.86 (0.25-2.07)	3.87	5.4	4.0	A+	
	7	18	-	2.16	5.54	-	7.70 (2.0-9.2)	2.01 (0.25-2.35)	3.83	5.8	4.0	A+	
	9	9	-	3.00	3.00	-	6.00 (2.0-7.2)	1.44 (0.25-1.67)	4.17	4.5	4.1	A+	
	9	12	-	3.00	4.20	-	7.20 (2.0-8.4)	1.86 (0.25-2.07)	3.87	5.4	4.0	A+	
	9	14	-	2.96	4.74	-	7.70 (2.0-9.2)	2.01 (0.25-2.35)	3.83	5.8	4.0	A+	
	9	18	-	2.57	5.13	-	7.70 (2.0-9.2)	2.01 (0.25-2.35)	3.83	5.8	4.0	A+	
	12	12	-	3.85	3.85	-	7.70 (2.0-9.2)	2.01 (0.25-2.35)	3.83	5.8	4.0	A+	
	12	14	-	3.55	4.15	-	7.70 (2.0-9.2)	2.01 (0.25-2.35)	3.83	5.8	4.0	A+	
	12	18	-	3.08	4.62	-	7.70 (2.0-9.2)	2.01 (0.25-2.35)	3.83	5.8	4.0	A+	
	14	14	-	3.85	3.85	-	7.70 (2.0-9.2)	2.01 (0.25-2.35)	3.83	5.8	4.0	A+	
	14	18	-	3.37	4.33	-	7.70 (2.0-9.2)	2.01 (0.25-2.35)	3.83	5.8	4.0	A+	
	3-unit connection	7	7	7	2.40	2.40	2.40	7.20 (2.0-8.4)	1.61 (0.25-2.07)	4.48	5.4	4.7	A++
		7	7	9	2.40	2.40	3.00	7.80 (2.0-9.2)	1.76 (0.25-2.35)	4.42	5.8	4.6	A++
7		7	12	2.15	2.15	3.70	8.00 (2.0-9.2)	1.82 (0.25-2.35)	4.40	6.0	4.6	A++	
7		7	14	2.00	2.00	4.00	8.00 (2.0-9.2)	1.82 (0.25-2.35)	4.40	6.0	4.6	A++	
7		7	18	1.75	1.75	4.50	8.00 (2.0-9.2)	1.82 (0.25-2.35)	4.40	6.0	4.6	A++	
7		9	9	2.24	2.88	2.88	8.00 (2.0-9.2)	1.82 (0.25-2.35)	4.40	6.0	4.6	A++	
7		9	12	2.00	2.57	3.43	8.00 (2.0-9.2)	1.82 (0.25-2.35)	4.40	6.0	4.6	A++	
7		9	14	1.87	2.40	3.73	8.00 (2.0-9.2)	1.82 (0.25-2.35)	4.40	6.0	4.6	A++	
7		9	18	1.65	2.12	4.23	8.00 (2.0-9.2)	1.82 (0.25-2.35)	4.40	6.0	4.6	A++	
7		12	1										

5-unit Multi-split Combination Table-Cooling

5-unit Multi-split cooling

AOYG36KBTAS	Combination of Indoor Units					Cooling Operation						Seasonal Data					
						Cooling Capacity					Input Power (Min. - Max.)				EER		
						Unit 1	Unit 2	Unit 3	Unit 4	Unit 5		Total Capacity (Min. - Max.)	Pdesign	SEER		Energy efficiency	
2-unit connection	7	24	-	-	-	2.00	7.00	-	-	-	9.00 (3.0-11.0)	2.91 (0.30-3.45)	3.09	9.0	7.9	A++	
	9	22	-	-	-	2.50	6.00	-	-	-	8.50 (3.0-11.0)	2.67 (0.30-3.45)	3.18	8.5	7.9	A++	
	9	24	-	-	-	2.50	7.00	-	-	-	9.50 (3.0-11.0)	3.17 (0.30-3.45)	3.00	9.5	7.8	A++	
	12	22	-	-	-	3.50	6.00	-	-	-	9.50 (3.0-11.0)	3.17 (0.30-3.45)	3.00	9.5	7.8	A++	
	12	24	-	-	-	3.17	6.33	-	-	-	9.50 (3.0-11.0)	3.17 (0.30-3.45)	3.00	9.5	7.8	A++	
	14	22	-	-	-	3.69	5.61	-	-	-	9.50 (3.0-11.0)	3.17 (0.30-3.45)	3.00	9.5	7.8	A++	
	14	24	-	-	-	3.50	6.00	-	-	-	9.50 (3.0-11.0)	3.17 (0.30-3.45)	3.00	9.5	7.8	A++	
	18	18	-	-	-	4.75	4.75	-	-	-	9.50 (3.0-11.0)	3.17 (0.30-3.45)	3.00	9.5	7.8	A++	
	18	22	-	-	-	4.27	5.23	-	-	-	9.50 (3.0-11.0)	3.17 (0.30-3.45)	3.00	9.5	7.8	A++	
	18	24	-	-	-	4.07	5.43	-	-	-	9.50 (3.0-11.0)	3.17 (0.30-3.45)	3.00	9.5	7.8	A++	
	22	22	-	-	-	4.75	4.75	-	-	-	9.50 (3.0-11.0)	3.17 (0.30-3.45)	3.00	9.5	7.8	A++	
	22	24	-	-	-	4.54	4.96	-	-	-	9.50 (3.0-11.0)	3.17 (0.30-3.45)	3.00	9.5	7.8	A++	
	24	24	-	-	-	4.75	4.75	-	-	-	9.50 (3.0-11.0)	3.17 (0.30-3.45)	3.00	9.5	7.8	A++	
	3-unit connection	7	7	14	-	-	2.00	2.00	4.00	-	-	8.00 (3.0-10.0)	2.26 (0.30-2.88)	3.54	8.0	8.2	A++
		7	7	18	-	-	2.00	2.00	5.00	-	-	9.00 (3.0-11.0)	2.68 (0.30-3.45)	3.36	9.0	8.1	A++
		7	7	22	-	-	1.85	1.85	5.80	-	-	9.50 (3.0-11.0)	2.91 (0.30-3.45)	3.27	9.5	8.0	A++
		7	7	24	-	-	1.75	1.75	6.00	-	-	9.50 (3.0-11.0)	2.91 (0.30-3.45)	3.27	9.5	8.0	A++
		7	9	12	-	-	2.00	2.50	3.50	-	-	8.00 (3.0-10.0)	2.26 (0.30-2.88)	3.54	8.0	8.2	A++
		7	9	14	-	-	2.00	2.50	4.00	-	-	8.50 (3.0-10.7)	2.46 (0.30-3.27)	3.45	8.5	8.1	A++
		7	9	18	-	-	2.00	2.50	5.00	-	-	9.50 (3.0-11.0)	2.91 (0.30-3.45)	3.27	9.5	8.0	A++
		7	9	22	-	-	1.75	2.25	5.50	-	-	9.50 (3.0-11.0)	2.91 (0.30-3.45)	3.27	9.5	8.0	A++
		7	9	24	-	-	1.66	2.14	5.70	-	-	9.50 (3.0-11.0)	2.91 (0.30-3.45)	3.27	9.5	8.0	A++
		7	12	12	-	-	2.00	3.50	3.50	-	-	9.00 (3.0-11.0)	2.68 (0.30-3.45)	3.36	9.0	8.1	A++
		7	12	14	-	-	2.00	3.50	4.00	-	-	9.50 (3.0-11.0)	2.91 (0.30-3.45)	3.27	9.5	8.0	A++
7		12	18	-	-	1.80	3.08	4.62	-	-	9.50 (3.0-11.0)	2.91 (0.30-3.45)	3.27	9.5	8.0	A++	
7		12	22	-	-	1.62	2.78	5.10	-	-	9.50 (3.0-11.0)	2.91 (0.30-3.45)	3.27	9.5	8.0	A++	
7		12	24	-	-	1.55	2.65	5.30	-	-	9.50 (3.0-11.0)	2.91 (0.30-3.45)	3.27	9.5	8.0	A++	
7		14	14	-	-	1.90	3.80	3.80	-	-	9.50 (3.0-11.0)	2.91 (0.30-3.45)	3.27	9.5	8.0	A++	
7		14	18	-	-	1.71	3.41	4.38	-	-	9.50 (3.0-11.0)	2.91 (0.30-3.45)	3.27	9.5	8.0	A++	
7		14	22	-	-	1.55	3.09	4.86	-	-	9.50 (3.0-11.0)	2.91 (0.30-3.45)	3.27	9.5	8.0	A++	
7		14	24	-	-	1.47	2.96	5.07	-	-	9.50 (3.0-11.0)	2.91 (0.30-3.45)	3.27	9.5	8.0	A++	
7		18	18	-	-	1.54	3.98	3.98	-	-	9.50 (3.0-11.0)	2.91 (0.30-3.45)	3.27	9.5	8.0	A++	
7		18	22	-	-	1.41	3.64	4.45	-	-	9.50 (3.0-11.0)	2.91 (0.30-3.45)	3.27	9.5	8.0	A++	
7		18	24	-	-	1.36	3.49	4.65	-	-	9.50 (3.0-11.0)	2.91 (0.30-3.45)	3.27	9.5	8.0	A++	
9		9	9	-	-	2.50	2.50	2.50	-	-	7.50 (3.0-9.6)	2.07 (0.30-2.70)	3.63	7.5	8.2	A++	
9		9	12	-	-	2.50	2.50	3.50	-	-	8.50 (3.0-10.7)	2.46 (0.30-3.27)	3.45	8.5	8.1	A++	
9		9	14	-	-	2.50	2.50	4.00	-	-	9.00 (3.0-11.0)	2.68 (0.30-3.45)	3.36	9.0	8.1	A++	
9	9	18	-	-	2.38	2.38	4.74	-	-	9.50 (3.0-11.0)	2.91 (0.30-3.45)	3.27	9.5	8.0	A++		
9	9	22	-	-	2.14	2.14	5.22	-	-	9.50 (3.0-11.0)	2.91 (0.30-3.45)	3.27	9.5	8.0	A++		
9	9	24	-	-	2.04	2.04	5.42	-	-	9.50 (3.0-11.0)	2.91 (0.30-3.45)	3.27	9.5	8.0	A++		
9	12	12	-	-	2.50	3.50	3.50	-	-	9.50 (3.0-11.0)	2.91 (0.30-3.45)	3.27	9.5	8.0	A++		
9	12	14	-	-	2.44	3.26	3.80	-	-	9.50 (3.0-11.0)	2.91 (0.30-3.45)	3.27	9.5	8.0	A++		
9	12	18	-	-	2.19	2.92	4.39	-	-	9.50 (3.0-11.0)	2.91 (0.30-3.45)	3.27	9.5	8.0	A++		
9	12	22	-	-	1.99	2.65	4.86	-	-	9.50 (3.0-11.0)	2.91 (0.30-3.45)	3.27	9.5	8.0	A++		
9	12	24	-	-	1.90	2.53	5.07	-	-	9.50 (3.0-11.0)	2.91 (0.30-3.45)	3.27	9.5	8.0	A++		
9	14	14	-	-	2.32	3.59	3.59	-	-	9.50 (3.0-11.0)	2.91 (0.30-3.45)	3.27	9.5	8.0	A++		
9	14	18	-	-	2.09	3.24	4.17	-	-	9.50 (3.0-11.0)	2.91 (0.30-3.45)	3.27	9.5	8.0	A++		
9	14	22	-	-	1.90	2.96	4.64	-	-	9.50 (3.0-11.0)	2.91 (0.30-3.45)	3.27	9.5	8.0	A++		
9	14	24	-	-	1.82	2.83	4.85	-	-	9.50 (3.0-11.0)	2.91 (0.30-3.45)	3.27	9.5	8.0	A++		
9	18	18	-	-	1.90	3.80	3.80	-	-	9.50 (3.0-11.0)	2.91 (0.30-3.45)	3.27	9.5	8.0	A++		
9	18	22	-	-	1.74	3.49	4.27	-	-	9.50 (3.0-11.0)	2.91 (0.30-3.45)	3.27	9.5	8.0	A++		
9	18	24	-	-	1.68	3.35	4.47	-	-	9.50 (3.0-11.0)	2.91 (0.30-3.45)	3.27	9.5	8.0	A++		
12	12	12	-	-	3.17	3.17	3.17	-	-	9.50 (3.0-11.0)	2.91 (0.30-3.45)	3.27	9.5	8.0	A++		
12	12	14	-	-	3.00	3.00	3.50	-	-	9.50 (3.0-11.0)	2.91 (0.30-3.45)	3.27	9.5	8.0	A++		
12	12	18	-	-	2.71	2.71	4.08	-	-	9.50 (3.0-11.0)	2.91 (0.30-3.45)	3.27	9.5	8.0	A++		
12	12	22	-	-	2.48	2.48	4.54	-	-	9.50 (3.0-11.0)	2.91 (0.30-3.45)	3.27	9.5	8.0	A++		
12	12	24	-	-	2.38	2.38	4.74	-	-	9.50 (3.0-11.0)	2.91 (0.30-3.45)	3.27	9.5	8.0	A++		
12	14	14	-	-	2.84	3.33	3.33	-	-	9.50 (3.0-11.0)	2.91 (0.30-3.45)	3.27	9.5	8.0	A++		
12	14	18	-	-	2.59	3.02	3.89	-	-	9.50 (3.0-11.0)	2.91 (0.30-3.45)	3.27	9.5	8.0	A++		
12	14	22	-	-	2.38	2.77	4.35	-	-	9.50 (3.0-11.0)	2.91 (0.30-3.45)	3.27	9.5	8.0	A++		
12	14	24	-	-	2.28	2.66	4.56	-	-	9.50 (3.0-11.0)	2.91 (0.30-3.45)	3.27	9.5	8.0	A++		
12	18	18	-	-	2.38	3.56	3.56	-	-	9.50 (3.0-11.0)	2.91 (0.30-3.45)	3.27	9.5	8.0	A++		
12	18	22	-	-	2.19	3.29	4.02	-	-	9.50 (3.0-11.0)	2.91 (0.30-3.45)	3.27	9.5	8.0	A++		
12	18	24	-	-	2.11	3.17	4.22	-	-	9.50 (3.0-11.0)	2.91 (0.30-3.45)	3.27	9.5	8.0	A++		
14	14	14	-	-	3.17	3.17	3.17	-	-	9.50 (3.0-11.0)	2.91 (0.30-3.45)	3.27	9.5	8.0	A++		
14	14	18	-	-	2.89	2.89	3.72	-	-	9.50 (3.0-11.0)	2.91 (0.30-3.45)	3.27	9.5	8.0	A++		
14	14	22	-	-	2.66	2.66	4.18	-	-	9.50 (3.0-11.0)	2.91 (0.30-3.45)	3.27	9.5	8.0	A++		
14	14	24	-	-	2.56	2.56	4.38	-	-	9.50 (3.0-11.0)	2.91 (0.30-3.45)	3.27	9.5	8.0	A++		
14	18	18	-	-	2.66	3.42	3.42	-	-	9.50 (3.0-11.0)	2.91 (0.30-3.45)	3.27	9.5	8.0	A++		
18	18	18	-	-	3.17	3.17	3.17	-	-	9.50 (3.0-11.0)	2.91 (0.30-3.45)	3.27	9.5	8.0	A++		
4-unit connection	7	7	7	7	-	2.00	2.00	2.00	2.00	-	8.00 (3.0-10.0)	2.11 (0.30-2.88)	3.80	8.0	8.5	A++	
	7	7	7	9	-	2.00	2.00	2.00	2.50	-	8.50 (3.0-10.7)	2.29 (0.30-3.27)	3.71	8.5	8.4	A++	
	7	7	7	12	-	2.00	2.00	2.00	3.50	-	9.50 (3.0-11.0)	2.69 (0.30-3.45)	3.53	9.5	8.3	A++	
	7	7	7	14	-	1.90	1.90	1.90	3.80	-	9.50 (3.0-11.0)	2.69 (0.30-3.45)	3.53	9.5	8.3	A++	
	7	7	7	18	-	1.71	1.71	1.71	4.37	-	9.50 (3.0-11.0)	2.69 (0.30-3.45)	3.53	9.5	8.3	A++	
	7	7	7	22	-	1.55	1.55	1.55	4.85	-	9.50 (3.0-11.0)	2.69 (0.30-3.45)	3.53	9.5	8.3	A++	
	7	7	7	24	-	1.48	1.48	1.48	5.06	-	9.50 (3.0-11.0)	2.69 (0.30-3.45)	3.53	9.5	8.3	A++	
	7	7	9	9	-	2.00	2.00	2.50	2.50	-	9.00 (3.0-11.0)	2.49 (0.30-3.45)	3.62	9.0	8.4	A++	
	7	7	9	12	-	1.90	1.90	2.44	3.26	-	9.50 (3.0-11.0)	2.69 (0.30-3.45)	3.53	9.5	8.3	A++	
	7	7	9	14	-	1.80	1.80	2.31	3.59	-	9.50 (3.0-11.0)	2.69 (0					



5-unit Multi-split Combination Table-Heating

5-unit Multi-split heating

AOYG36KBTAS	Combination of Indoor Units					Heating Operation						Seasonal Data				
						Heating Capacity					Input Power (Min. - Max.)	COP	Pdesign kW	SCOP	Energy efficiency	
						Unit 1	Unit 2	Unit 3	Unit 4	Unit 5						Total Capacity (Min. - Max.)
2-unit connection	7	24	-	-	-	2.39	8.21	-	-	-	10.60 (3.5-12.0)	2.65 (0.25-3.25)	4.00	7.0	4.3	A+
	9	22	-	-	-	3.00	7.20	-	-	-	10.20 (3.5-12.0)	2.52 (0.25-3.25)	4.04	6.8	4.3	A+
	9	24	-	-	-	2.89	7.71	-	-	-	10.60 (3.5-12.0)	2.65 (0.25-3.25)	4.00	7.0	4.3	A+
	12	22	-	-	-	3.74	6.86	-	-	-	10.60 (3.5-12.0)	2.65 (0.25-3.25)	4.00	7.0	4.3	A+
	12	24	-	-	-	3.53	7.07	-	-	-	10.60 (3.5-12.0)	2.65 (0.25-3.25)	4.00	7.0	4.3	A+
	14	24	-	-	-	4.12	3.68	-	-	-	10.60 (3.5-12.0)	2.65 (0.25-3.25)	4.00	7.0	4.3	A+
	14	24	-	-	-	3.91	6.69	-	-	-	10.60 (3.5-12.0)	2.65 (0.25-3.25)	4.00	7.0	4.3	A+
	18	18	-	-	-	5.30	5.30	-	-	-	10.60 (3.5-12.0)	2.65 (0.25-3.25)	4.00	7.0	4.3	A+
	18	22	-	-	-	4.77	5.83	-	-	-	10.60 (3.5-12.0)	2.65 (0.25-3.25)	4.00	7.0	4.3	A+
	18	24	-	-	-	4.54	6.06	-	-	-	10.60 (3.5-12.0)	2.65 (0.25-3.25)	4.00	7.0	4.3	A+
	22	22	-	-	-	5.30	5.30	-	-	-	10.60 (3.5-12.0)	2.65 (0.25-3.25)	4.00	7.0	4.3	A+
	22	24	-	-	-	5.07	5.53	-	-	-	10.60 (3.5-12.0)	2.65 (0.25-3.25)	4.00	7.0	4.3	A+
	24	24	-	-	-	5.30	5.30	-	-	-	10.60 (3.5-12.0)	2.65 (0.25-3.25)	4.00	7.0	4.3	A+
	7	7	14	-	-	2.40	2.40	4.80	-	-	9.60 (3.5-11.2)	2.25 (0.25-2.87)	4.26	6.5	4.5	A+
	7	7	18	-	-	2.32	2.32	5.96	-	-	10.60 (3.5-12.0)	2.54 (0.25-3.25)	4.18	7.0	4.4	A+
	7	7	22	-	-	2.06	2.06	6.48	-	-	10.60 (3.5-12.0)	2.54 (0.25-3.25)	4.18	7.0	4.4	A+
	7	7	24	-	-	1.95	1.95	6.70	-	-	10.60 (3.5-12.0)	2.54 (0.25-3.25)	4.18	7.0	4.4	A+
	7	9	12	-	-	2.40	3.00	4.20	-	-	9.60 (3.5-11.2)	2.25 (0.25-2.87)	4.26	6.5	4.5	A+
	7	9	14	-	-	2.40	3.00	4.80	-	-	10.20 (3.5-12.0)	2.42 (0.25-3.25)	4.21	6.8	4.4	A+
	7	9	18	-	-	2.18	2.81	5.61	-	-	10.60 (3.5-12.0)	2.54 (0.25-3.25)	4.18	7.0	4.4	A+
	7	9	22	-	-	1.95	2.51	6.14	-	-	10.60 (3.5-12.0)	2.54 (0.25-3.25)	4.18	7.0	4.4	A+
	7	9	24	-	-	1.85	2.39	6.36	-	-	10.60 (3.5-12.0)	2.54 (0.25-3.25)	4.18	7.0	4.4	A+
	7	12	12	-	-	1.72	4.44	4.44	-	-	10.60 (3.5-12.0)	2.54 (0.25-3.25)	4.18	7.0	4.4	A+
	7	12	14	-	-	2.25	3.85	4.50	-	-	10.60 (3.5-12.0)	2.54 (0.25-3.25)	4.18	7.0	4.4	A+
7	12	18	-	-	2.00	3.44	5.16	-	-	10.60 (3.5-12.0)	2.54 (0.25-3.25)	4.18	7.0	4.4	A+	
7	12	22	-	-	1.81	3.10	5.69	-	-	10.60 (3.5-12.0)	2.54 (0.25-3.25)	4.18	7.0	4.4	A+	
7	12	24	-	-	1.72	2.96	5.92	-	-	10.60 (3.5-12.0)	2.54 (0.25-3.25)	4.18	7.0	4.4	A+	
7	14	14	-	-	2.12	4.24	4.24	-	-	10.60 (3.5-12.0)	2.54 (0.25-3.25)	4.18	7.0	4.4	A+	
7	14	18	-	-	1.90	3.81	4.89	-	-	10.60 (3.5-12.0)	2.54 (0.25-3.25)	4.18	7.0	4.4	A+	
7	14	22	-	-	1.73	3.45	5.42	-	-	10.60 (3.5-12.0)	2.54 (0.25-3.25)	4.18	7.0	4.4	A+	
7	14	24	-	-	1.65	3.30	5.65	-	-	10.60 (3.5-12.0)	2.54 (0.25-3.25)	4.18	7.0	4.4	A+	
7	18	18	-	-	1.72	4.44	4.44	-	-	10.60 (3.5-12.0)	2.54 (0.25-3.25)	4.18	7.0	4.4	A+	
7	18	22	-	-	1.58	4.06	4.96	-	-	10.60 (3.5-12.0)	2.54 (0.25-3.25)	4.18	7.0	4.4	A+	
7	18	24	-	-	1.51	3.89	5.20	-	-	10.60 (3.5-12.0)	2.54 (0.25-3.25)	4.18	7.0	4.4	A+	
9	9	9	-	-	3.00	3.00	3.00	-	-	9.00 (3.5-10.8)	2.09 (0.25-2.70)	4.31	6.0	4.5	A+	
9	9	12	-	-	3.00	3.00	4.20	-	-	10.20 (3.5-12.0)	2.42 (0.25-3.25)	4.21	6.8	4.4	A+	
9	9	14	-	-	2.98	2.98	4.64	-	-	10.60 (3.5-12.0)	2.54 (0.25-3.25)	4.18	7.0	4.4	A+	
9	9	18	-	-	2.65	2.65	5.30	-	-	10.60 (3.5-12.0)	2.54 (0.25-3.25)	4.18	7.0	4.4	A+	
9	9	22	-	-	2.39	2.39	5.82	-	-	10.60 (3.5-12.0)	2.54 (0.25-3.25)	4.18	7.0	4.4	A+	
9	9	24	-	-	2.27	2.27	6.06	-	-	10.60 (3.5-12.0)	2.54 (0.25-3.25)	4.18	7.0	4.4	A+	
9	12	12	-	-	2.80	3.85	3.85	-	-	10.60 (3.5-12.0)	2.54 (0.25-3.25)	4.18	7.0	4.4	A+	
9	12	14	-	-	2.73	3.63	4.24	-	-	10.60 (3.5-12.0)	2.54 (0.25-3.25)	4.18	7.0	4.4	A+	
9	12	18	-	-	2.45	3.26	4.89	-	-	10.60 (3.5-12.0)	2.54 (0.25-3.25)	4.18	7.0	4.4	A+	
9	12	22	-	-	2.22	2.96	5.42	-	-	10.60 (3.5-12.0)	2.54 (0.25-3.25)	4.18	7.0	4.4	A+	
9	12	24	-	-	2.12	2.83	5.65	-	-	10.60 (3.5-12.0)	2.54 (0.25-3.25)	4.18	7.0	4.4	A+	
9	14	14	-	-	2.58	4.01	4.01	-	-	10.60 (3.5-12.0)	2.54 (0.25-3.25)	4.18	7.0	4.4	A+	
9	14	18	-	-	2.33	3.62	4.65	-	-	10.60 (3.5-12.0)	2.54 (0.25-3.25)	4.18	7.0	4.4	A+	
9	14	22	-	-	2.12	3.30	5.18	-	-	10.60 (3.5-12.0)	2.54 (0.25-3.25)	4.18	7.0	4.4	A+	
9	14	24	-	-	2.03	3.16	5.41	-	-	10.60 (3.5-12.0)	2.54 (0.25-3.25)	4.18	7.0	4.4	A+	
9	18	18	-	-	2.12	4.44	4.44	-	-	10.60 (3.5-12.0)	2.54 (0.25-3.25)	4.18	7.0	4.4	A+	
9	18	22	-	-	1.95	3.89	4.76	-	-	10.60 (3.5-12.0)	2.54 (0.25-3.25)	4.18	7.0	4.4	A+	
9	18	24	-	-	1.87	3.74	4.99	-	-	10.60 (3.5-12.0)	2.54 (0.25-3.25)	4.18	7.0	4.4	A+	
12	12	12	-	-	3.53	3.53	3.53	-	-	10.60 (3.5-12.0)	2.54 (0.25-3.25)	4.18	7.0	4.4	A+	
12	12	14	-	-	3.35	3.35	3.90	-	-	10.60 (3.5-12.0)	2.54 (0.25-3.25)	4.18	7.0	4.4	A+	
12	12	18	-	-	3.03	3.03	4.54	-	-	10.60 (3.5-12.0)	2.54 (0.25-3.25)	4.18	7.0	4.4	A+	
12	12	22	-	-	2.77	2.77	5.06	-	-	10.60 (3.5-12.0)	2.54 (0.25-3.25)	4.18	7.0	4.4	A+	
12	12	24	-	-	2.65	2.65	5.30	-	-	10.60 (3.5-12.0)	2.54 (0.25-3.25)	4.18	7.0	4.4	A+	
12	14	14	-	-	3.18	3.71	3.71	-	-	10.60 (3.5-12.0)	2.54 (0.25-3.25)	4.18	7.0	4.4	A+	
12	14	18	-	-	2.89	3.37	4.34	-	-	10.60 (3.5-12.0)	2.54 (0.25-3.25)	4.18	7.0	4.4	A+	
12	14	22	-	-	2.65	3.09	4.86	-	-	10.60 (3.5-12.0)	2.54 (0.25-3.25)	4.18	7.0	4.4	A+	
12	14	24	-	-	2.54	2.97	5.09	-	-	10.60 (3.5-12.0)	2.54 (0.25-3.25)	4.18	7.0	4.4	A+	
12	18	18	-	-	2.64	3.98	3.98	-	-	10.60 (3.5-12.0)	2.54 (0.25-3.25)	4.18	7.0	4.4	A+	
12	18	22	-	-	2.45	3.67	4.48	-	-	10.60 (3.5-12.0)	2.54 (0.25-3.25)	4.18	7.0	4.4	A+	
12	18	24	-	-	2.36	3.53	4.71	-	-	10.60 (3.5-12.0)	2.54 (0.25-3.25)	4.18	7.0	4.4	A+	
14	14	14	-	-	3.53	3.53	3.53	-	-	10.60 (3.5-12.0)	2.54 (0.25-3.25)	4.18	7.0	4.4	A+	
14	14	18	-	-	3.23	3.23	4.14	-	-	10.60 (3.5-12.0)	2.54 (0.25-3.25)	4.18	7.0	4.4	A+	
14	14	22	-	-	2.97	2.97	4.66	-	-	10.60 (3.5-12.0)	2.54 (0.25-3.25)	4.18	7.0	4.4	A+	
14	14	24	-	-	2.85	2.85	4.90	-	-	10.60 (3.5-12.0)	2.54 (0.25-3.25)	4.18	7.0	4.4	A+	
14	18	18	-	-	2.96	3.82	3.82	-	-	10.60 (3.5-12.0)	2.54 (0.25-3.25)	4.18	7.0	4.4	A+	
18	18	18	-	-	3.53	3.53	3.53	-	-	10.60 (3.5-12.0)	2.54 (0.25-3.25)	4.18	7.0	4.4	A+	
7	7	7	7	-	2.40	2.40	2.40	2.40	-	9.60 (3.5-11.2)	2.17 (0.25-2.87)	4.42	6.5	4.6	A++	
7	7	7	9	-	2.40	2.40	2.40	3.00	-	10.20 (3.5-12.0)	2.33 (0.25-3.25)	4.37	6.8	4.5	A+	
7	7	7	12	-	2.25	2.25	2.25	3.85	-	10.60 (3.5-12.0)	2.44 (0.25-3.25)	4.34	7.0	4.5	A+	
7	7	7	14	-	2.12	2.12	2.12	4.24	-	10.60 (3.5-12.0)	2.44 (0.25-3.25)	4.34	7.0	4.5	A+	
7	7	7	18	-	1.90	1.90	1.90	4.90	-	10.60 (3.5-12.0)	2.44 (0.25-3.25)	4.34	7.0	4.5	A+	
7	7	7	22	-	1.73	1.73	1.73	5.41	-	10.60 (3.5-12.0)	2.44 (0.25-3.25)	4.34	7.0	4.5	A+	
7	7	7	24	-	1.65	1.65	1.65	5.65	-	10.60 (3.5-12.0)	2.44 (0.25-3.25)	4.34	7.0	4.5	A+	
7	7	9	9	-	2.32	2.32	2.98	2.98	-	10.60 (3.5-12.0)	2.40 (0.25-3.25)	4.34	7.0	4.5	A+	
7	7	9	12	-	2.12	2.12	2.73	3.63	-	10.60 (3.5-12.0)	2.44 (0.25-3.25)	4.34	7.0	4.5	A+	
7	7	9	14	-	2.01	2.01	2.57	4.01	-	10.60 (3.5-12.0)	2.44 (0.25-3.25)	4				

6-unit Multi-split Combination Table-Cooling

6-unit Multi-split cooling

AOYG45LBLA6	Combination of Indoor Units						Cooling Operation				Input Power (Min. - Max.)	EER			
							Cooling Capacity						Total Capacity (Min. - Max.)		
							Unit 1	Unit 2	Unit 3	Unit 4				Unit 5	Unit 6
2-unit connection		12 24	-	-	-	-	-	3.50	7.00	-	-	-	10.5 (3.5-11.5)	3.06 (0.8-3.32)	3.43
3-unit connection		12 14 14	-	-	-	-	-	3.50	4.00	4.00	-	-	11.0 (3.5-12.1)	3.28 (0.8-3.70)	3.35
4-unit connection		12 12 12 12	-	-	-	-	-	3.50	4.00	4.00	-	-	12.0 (3.5-13.4)	3.19 (0.8-3.70)	3.45
5-unit connection		12 12 12 12 12	-	-	-	-	-	3.50	4.00	4.00	-	-	12.5 (3.5-14.0)	3.12 (0.8-3.44)	3.40
6-unit connection		12 12 12 12 12 12	-	-	-	-	-	3.50	4.00	4.00	-	-	13.0 (3.5-14.5)	3.06 (0.8-3.32)	3.35

6-unit Multi-split cooling

AOYG45LBLA6	Combination of Indoor Units						Cooling Operation				Input Power (Min. - Max.)	EER					
							Cooling Capacity						Total Capacity (Min. - Max.)				
							Unit 1	Unit 2	Unit 3	Unit 4				Unit 5	Unit 6	kW	
2-unit connection		12 12	12 12	-	-	-	-	3.13	3.13	3.13	3.13	-	-	12.5 (3.5-14.0)	3.75 (0.8-4.84)	3.33	
3-unit connection		12 12 12	12 14	-	-	-	-	3.00	3.00	3.00	3.50	-	-	12.5 (3.5-14.0)	3.74 (0.8-4.84)	3.34	
4-unit connection		12 12 12 12	14 14	-	-	-	-	2.78	2.78	2.78	4.16	-	-	12.5 (3.5-14.0)	3.71 (0.8-4.84)	3.37	
5-unit connection		12 12 12 12 12	14 14	-	-	-	-	2.50	2.50	2.50	5.00	-	-	12.5 (3.5-14.0)	3.68 (0.8-4.84)	3.40	
6-unit connection		12 12 12 12 12 12	14 14	-	-	-	-	2.68	2.68	2.68	3.13	4.01	-	-	12.5 (3.5-14.0)	3.70 (0.8-4.84)	3.38

Notes: *7: 7000 Btu/h/9: 9000 Btu/h/12: 12000 Btu/h/14: 14000 Btu/h/18: 18000 Btu/h/24: 24000 Btu/h models

- *The above specifications apply when connected with a wall-mounted unit.
- *2 or more indoor units should be connected.
- *Cooling capacity is determined based on 27°CDB/19°CWB (indoor temperature) and 35°CDB (outdoor temperature).
- *Pipe Length: 5 m, Height difference: 0 m (Outdoor unit to Indoor unit)
- *Total capacity of indoor units connected must be between 9.5 kW and 18.0 kW.

6-unit Multi-split Combination Table-Heating

6-unit Multi-split heating

AOYG45LBLA6	Combination of Indoor Units		Heating Operation						Input Power (Min. - Max.) kW	COP					
			Heating Capacity												
			Unit 1 kW	Unit 2 kW	Unit 3 kW	Unit 4 kW	Unit 5 kW	Unit 6 kW			Total Capacity (Min. - Max.) kW				
4-unit connection	12	12	12	12	-	-	3.38	3.38	3.38	3.38	-	-	13.5 (3.5-16.0)	3.60 (0.7-4.4)	3.75
	12	12	12	14	-	-	3.24	3.24	3.24	3.78	-	-	13.5 (3.5-16.0)	3.60 (0.7-4.4)	3.75
	12	12	12	18	-	-	3.00	3.00	3.00	4.50	-	-	13.5 (3.5-16.0)	3.58 (0.7-4.4)	3.77
	12	12	12	24	-	-	2.70	2.70	2.70	5.40	-	-	13.5 (3.5-16.0)	3.57 (0.7-4.4)	3.78
	12	12	14	14	-	-	3.12	3.12	3.63	3.63	-	-	13.5 (3.5-16.0)	3.59 (0.7-4.4)	3.76
	12	12	14	18	-	-	2.89	2.89	3.38	4.34	-	-	13.5 (3.5-16.0)	3.58 (0.7-4.4)	3.77
	12	12	14	24	-	-	2.61	2.61	3.05	5.23	-	-	13.5 (3.5-16.0)	3.56 (0.7-4.4)	3.79
	12	12	18	18	-	-	2.70	2.70	4.05	4.05	-	-	13.5 (3.5-16.0)	3.57 (0.7-4.4)	3.78
	12	14	14	14	-	-	3.00	3.50	3.50	3.50	-	-	13.5 (3.5-16.0)	3.58 (0.7-4.4)	3.77
	12	14	14	18	-	-	2.79	3.26	3.26	4.19	-	-	13.5 (3.5-16.0)	3.57 (0.7-4.4)	3.78
	12	14	18	18	-	-	2.61	3.05	3.92	3.92	-	-	13.5 (3.5-16.0)	3.56 (0.7-4.4)	3.79
	7	7	7	7	7	7	7	2.40	2.40	2.40	2.40	2.40	12.0 (3.5-12.7)	2.82 (0.7-3.44)	4.26
7	7	7	7	9	9	9	2.33	2.33	2.33	2.98	-	12.3 (3.5-13.5)	3.03 (0.7-3.65)	4.06	
7	7	7	7	12	12	12	2.10	2.10	2.10	3.60	-	12.6 (3.5-14.5)	3.29 (0.7-3.98)	3.89	
7	7	7	7	14	14	14	2.20	2.20	2.20	4.40	-	13.2 (3.5-15.3)	3.40 (0.7-4.20)	3.88	
7	7	7	7	18	18	18	2.05	2.05	2.05	5.30	-	13.5 (3.5-16.0)	3.49 (0.7-4.4)	3.87	
7	7	7	7	24	24	24	1.82	1.82	1.82	6.22	-	13.5 (3.5-16.0)	3.47 (0.7-4.4)	3.89	
7	7	7	9	9	9	9	2.28	2.28	2.28	2.93	-	12.7 (3.5-14.2)	3.23 (0.7-3.87)	3.93	
7	7	7	9	12	12	12	2.20	2.20	2.20	3.77	-	13.2 (3.5-15.3)	3.40 (0.7-4.20)	3.88	
7	7	7	9	14	14	14	2.15	2.15	2.15	4.29	-	13.5 (3.5-16.0)	3.49 (0.7-4.4)	3.87	
7	7	7	9	18	18	18	1.97	1.97	1.97	5.06	-	13.5 (3.5-16.0)	3.48 (0.7-4.4)	3.88	
7	7	7	9	24	24	24	1.75	1.75	1.75	6.00	-	13.5 (3.5-16.0)	3.46 (0.7-4.4)	3.90	
7	7	7	12	12	12	12	2.01	2.01	2.01	3.60	-	13.5 (3.5-16.0)	3.49 (0.7-4.4)	3.87	
7	7	7	12	14	14	14	2.01	2.01	3.45	4.02	-	13.5 (3.5-16.0)	3.48 (0.7-4.4)	3.88	
7	7	7	12	18	18	18	1.85	1.85	1.85	4.77	-	13.5 (3.5-16.0)	3.47 (0.7-4.4)	3.89	
7	7	7	12	24	24	24	1.66	1.66	1.66	5.68	-	13.5 (3.5-16.0)	3.45 (0.7-4.4)	3.91	
7	7	7	14	14	14	14	1.93	1.93	1.93	3.86	-	13.5 (3.5-16.0)	3.48 (0.7-4.4)	3.88	
7	7	7	14	18	18	18	1.78	1.78	1.78	4.59	-	13.5 (3.5-16.0)	3.47 (0.7-4.4)	3.89	
7	7	7	14	24	24	24	1.60	1.60	1.60	5.50	-	13.5 (3.5-16.0)	3.45 (0.7-4.4)	3.91	
7	7	7	18	18	18	18	1.66	1.66	1.66	4.26	-	13.5 (3.5-16.0)	3.45 (0.7-4.4)	3.91	
7	7	7	9	9	9	9	2.22	2.22	2.85	2.85	-	13.0 (3.5-14.9)	3.34 (0.7-4.09)	3.89	
7	7	9	9	12	12	12	2.15	2.15	2.76	3.68	-	13.5 (3.5-16.0)	3.49 (0.7-4.4)	3.88	
7	7	9	9	14	14	14	2.05	2.05	2.64	4.12	-	13.5 (3.5-16.0)	3.49 (0.7-4.4)	3.87	
7	7	9	9	18	18	18	1.89	1.89	2.43	4.86	-	13.5 (3.5-16.0)	3.48 (0.7-4.4)	3.88	
7	7	9	9	24	24	24	1.69	1.69	2.17	5.78	-	13.5 (3.5-16.0)	3.46 (0.7-4.4)	3.90	
7	7	9	12	12	12	12	2.01	2.01	2.58	3.45	-	13.5 (3.5-16.0)	3.48 (0.7-4.4)	3.88	
7	7	9	12	14	14	14	1.93	1.93	2.48	3.31	-	13.5 (3.5-16.0)	3.48 (0.7-4.4)	3.88	
7	7	9	12	18	18	18	1.78	1.78	2.29	3.06	-	13.5 (3.5-16.0)	3.47 (0.7-4.4)	3.89	
7	7	9	12	24	24	24	1.60	1.60	2.06	2.75	-	13.5 (3.5-16.0)	3.45 (0.7-4.4)	3.91	
7	7	9	14	14	14	14	1.85	1.85	2.38	3.71	-	13.5 (3.5-16.0)	3.47 (0.7-4.4)	3.89	
7	7	9	14	18	18	18	1.72	1.72	2.21	3.44	-	13.5 (3.5-16.0)	3.46 (0.7-4.4)	3.90	
7	7	9	14	24	24	24	1.55	1.55	1.99	3.10	-	13.5 (3.5-16.0)	3.44 (0.7-4.4)	3.92	
7	7	9	18	18	18	18	1.60	1.60	2.06	4.12	-	13.5 (3.5-16.0)	3.45 (0.7-4.4)	3.91	
7	7	12	12	12	12	12	1.89	1.89	3.24	3.24	-	13.5 (3.5-16.0)	3.48 (0.7-4.4)	3.88	
7	7	12	12	14	14	14	1.82	1.82	3.12	3.62	-	13.5 (3.5-16.0)	3.47 (0.7-4.4)	3.89	
7	7	12	12	18	18	18	1.69	1.69	2.89	4.34	-	13.5 (3.5-16.0)	3.46 (0.7-4.4)	3.90	
7	7	12	12	24	24	24	1.52	1.52	2.61	5.24	-	13.5 (3.5-16.0)	3.44 (0.7-4.4)	3.92	
7	7	12	14	14	14	14	1.75	1.75	3.00	3.50	-	13.5 (3.5-16.0)	3.46 (0.7-4.4)	3.90	
7	7	12	14	18	18	18	1.63	1.63	2.79	3.26	-	13.5 (3.5-16.0)	3.45 (0.7-4.4)	3.91	
7	7	12	18	18	18	18	1.52	1.52	2.62	3.92	-	13.5 (3.5-16.0)	3.44 (0.7-4.4)	3.92	
7	7	14	14	14	14	14	1.68	1.68	3.38	3.38	-	13.5 (3.5-16.0)	3.46 (0.7-4.4)	3.90	
7	7	14	14	18	18	18	1.58	1.58	3.15	4.04	-	13.5 (3.5-16.0)	3.45 (0.7-4.4)	3.91	
7	9	9	9	9	9	9	2.18	2.18	2.78	2.78	-	13.3 (3.5-15.6)	3.44 (0.7-4.30)	3.87	
7	9	9	9	12	12	12	2.05	2.64	2.64	3.53	-	13.5 (3.5-16.0)	3.49 (0.7-4.4)	3.87	
7	9	9	9	14	14	14	1.97	2.53	2.53	3.94	-	13.5 (3.5-16.0)	3.48 (0.7-4.4)	3.88	
7	9	9	9	18	18	18	1.82	2.34	2.34	4.66	-	13.5 (3.5-16.0)	3.47 (0.7-4.4)	3.89	
7	9	9	9	24	24	24	1.63	2.09	2.09	5.60	-	13.5 (3.5-16.0)	3.45 (0.7-4.4)	3.91	
7	9	9	12	12	12	12	1.92	2.48	2.48	3.31	-	13.5 (3.5-16.0)	3.48 (0.7-4.4)	3.88	
7	9	9	12	14	14	14	1.72	2.38	2.38	3.71	-	13.5 (3.5-16.0)	3.47 (0.7-4.4)	3.89	
7	9	9	12	18	18	18	1.52	2.21	2.21	4.41	-	13.5 (3.5-16.0)	3.46 (0.7-4.4)	3.90	
7	9	9	12	24	24	24	1.35	1.99	1.99	5.31	-	13.5 (3.5-16.0)	3.44 (0.7-4.4)	3.92	
7	9	9	14	14	14	14	1.78	2.29	2.29	3.57	-	13.5 (3.5-16.0)	3.47 (0.7-4.4)	3.89	
7	9	9	14	18	18	18	1.66	2.13	2.13	3.32	-	13.5 (3.5-16.0)	3.45 (0.7-4.4)	3.91	
7	9	9	18	18	18	18	1.56	1.99	1.99	3.98	-	13.5 (3.5-16.0)	3.44 (0.7-4.4)	3.92	
7	9	12	12	12	12	12	1.82	2.32	3.12	3.12	-	13.5 (3.5-16.0)	3.47 (0.7-4.4)	3.89	
7	9	12	12	14	14	14	1.75	2.25	3.00	3.50	-	13.5 (3.5-16.0)	3.46 (0.7-4.4)	3.90	
7	9	12	12	18	18	18	1.63	2.09	2.79	4.20	-	13.5 (3.5-16.0)	3.45 (0.7-4.4)	3.91	
7	9	12	14	14	14	14	1.69	2.17	2.88	3.38	-	13.5 (3.5-16.0)	3.46 (0.7-4.4)	3.90	
7	9	12	14	18	18	18	1.58	2.03	2.70	3.15	-	13.5 (3.5-16.0)	3.45 (0.7-4.4)	3.91	
7	9	14	14	14	14	14	1.63	2.09	3.26	3.26	-	13.5 (3.5-16.0)	3.45 (0.7-4.4)	3.91	
7	9	14	14	18	18	18	1.52	1.96	3.05	3.92	-	13.5 (3.5-16.0)	3.44 (0.7-4.4)	3.92	
7	12	12	12	12	12	12	1.70	2.95	2.95	2.95	-	13.5 (3.5-16.0)	3.46 (0.7-4.4)	3.90	
7	12	12	12	14	14	14	1.66	2.84	2.84	3.32	-	13.5 (3.5-16.0)	3.45 (0.7-4.4)	3.91	
7	12	12	12	18	18	18	1.55	2.66	2.66	3.97	-	13.5 (3.5-16.0)	3.44 (0.7-4.4)	3.92	
7	12	12	14	14	14	14	1.60	2.75	2.75	3.20	-	13.5 (3.5-16.0)	3.45 (0.7-4.4)	3.91	
7	12	14	14	14	14	14	1.55	2.65	3.10	3.10	-	13.5 (3.5-16.0)	3.44 (0.7-4.4)	3.92	
9	9	9	9	9	9	9	2.70	2.70	2.70	2.70	-	13.5 (3.5-16.0)	3.49 (0.7-4.4)	3.87	
9	9	9	9	12	12	12	2.53	2.53	2.53	3.38	-	13.5 (3.5-16.0)	3.48 (0.7-4.4)	3.88	
9	9	9	9	14	14	14	2.43	2.43	2.43	3.78	-	13.5 (3.5-16.0)	3.48 (0.7-4.4)	3.88	
9	9	9	9	18	18	18	2.25	2.25	2.25	4.50	-	13.5 (3.5-16.0)	3.46 (0.7-4.4)	3.90	
9	9	9	9	24	24	24	2.03	2.03	2.03	5.38	-	13.5 (3.5-16.0)	3.45 (0.7-4.4)	3.91	
9	9	9	12	12	12	12	2.38	2.38	3.18	3.18	-	13.5 (3.5-16.0)	3.47 (0.7-4.4)	3.89	
9	9	9	12	14	14	14	2.29	2.29	3.06	3.57	-	13.5 (3.5-16.0)	3.47 (0.7-4.4)	3.89	
9	9	9	12	18	18	18	2.13	2.13	2.84	4.27	-	13.5 (3.5-16.0)	3.45 (0.7-4.4)	3.91	
9	9	9	14	14	14	14	2.21	2.21	3.44	3.44	-	13.5 (3.5-16.0)	3.46 (0.7-4.4)	3.90	
9	9	9	14	18	18	18	2.06	2.06	3.20	4.12	-	13.5 (3.5-16.0)	3.45 (0.7-4.4)	3.91	
9	9	12	12	12	12	12	2.25	2.25	3.00	3.00	-	13.5 (3.5-16.0)	3.46 (0.7-4.4)	3.90	
9	9	12	12	14	14	14	2.17	2.17	2.89	3.38	-	13.5 (3.5-16.0)	3.46 (0.7-4.4)	3.90	
9	9	12	12	18											

8-unit Multi-split Combination Table-Cooling/Heating

8-unit Multi-split cooling

AOYG45LBT8	Combination of Indoor Units		Cooling Operation										Input power
			Cooling Capacity										
			Unit 1	Unit 2	Unit 3	Unit 4	Unit 5	Unit 6	Unit 7	Unit 8	Total		
			kW	kW	kW	kW	kW	kW	kW	kW	kW	kW	
7	9	9	1.79	2.30	2.30	2.30	2.30	4.59	-	-	15.57	5.88	
7	9	9	1.93	2.49	2.49	2.49	2.49	3.32	-	-	15.22	5.90	
7	9	9	2.05	2.64	2.64	2.64	2.64	2.64	-	-	15.25	5.79	
7	7	12	1.77	1.77	3.04	3.04	3.04	3.04	-	-	15.69	5.87	
7	7	9	1.79	1.79	2.30	3.07	3.07	3.57	-	-	15.57	5.88	
7	7	9	1.82	1.82	2.34	3.12	3.12	3.12	-	-	15.34	5.89	
7	7	9	1.80	1.80	2.32	2.32	3.60	3.60	-	-	15.45	5.89	
7	7	9	1.77	1.77	2.28	2.28	3.04	4.55	-	-	15.69	5.87	
7	7	9	1.83	1.83	2.36	2.36	3.15	3.67	-	-	15.21	5.90	
7	7	9	1.92	1.92	2.47	2.47	3.30	3.30	-	-	15.38	5.90	
7	7	9	1.82	1.82	2.34	2.34	2.34	4.67	-	-	15.33	5.89	
7	7	9	1.93	1.93	2.49	2.49	3.87	-	-	-	15.21	5.90	
7	7	9	1.96	1.96	2.53	2.53	2.53	3.37	-	-	14.88	5.90	
7	7	9	2.05	2.05	2.64	2.64	2.64	2.64	-	-	14.66	5.50	
7	7	7	1.79	1.79	1.79	3.07	3.57	-	-	-	15.57	5.88	
7	7	7	1.82	1.82	1.82	3.12	3.12	3.64	-	-	15.33	5.89	
7	7	7	1.91	1.91	1.91	3.28	3.28	3.28	-	-	15.55	5.90	
7	7	7	1.77	1.77	1.77	2.28	3.54	4.55	-	-	15.68	5.87	
7	7	7	1.84	1.84	1.84	2.36	3.67	3.67	-	-	15.21	5.90	
7	7	7	1.80	1.80	1.80	2.32	3.09	4.63	-	-	15.45	5.89	
7	7	7	1.92	1.92	1.92	2.47	3.30	3.84	-	-	15.38	5.90	
7	7	7	1.95	1.95	1.95	2.51	3.35	3.35	-	-	15.05	5.90	
7	7	7	1.91	1.91	1.91	2.46	2.46	4.90	-	-	15.54	5.90	
7	7	7	1.96	1.96	1.96	2.53	2.53	3.93	-	-	14.87	5.90	
7	7	7	2.05	2.05	2.05	2.64	2.64	3.52	-	-	14.95	5.65	
7	7	7	2.05	2.05	2.05	2.64	2.64	2.64	-	-	14.07	5.20	
7	7	7	1.80	1.80	1.80	1.80	3.60	4.63	-	-	15.45	5.89	
7	7	7	1.92	1.92	1.92	1.92	3.84	3.84	-	-	15.37	5.90	
7	7	7	1.84	1.84	1.84	1.84	3.15	4.72	-	-	15.21	5.90	
7	7	7	1.95	1.95	1.95	1.95	3.35	3.90	-	-	15.04	5.90	
7	7	7	2.05	2.05	2.05	2.05	3.52	3.52	-	-	15.24	5.79	
7	7	7	1.79	1.79	1.79	2.30	6.12	-	-	-	15.57	5.88	
7	7	7	1.93	1.93	1.93	1.93	2.49	4.97	-	-	15.21	5.90	
7	7	7	2.05	2.05	2.05	2.05	2.64	4.10	-	-	14.94	5.65	
7	7	7	2.05	2.05	2.05	2.05	2.64	3.52	-	-	14.36	5.35	
7	7	7	2.05	2.05	2.05	2.05	2.64	2.64	-	-	13.48	4.89	
7	7	7	1.82	1.82	1.82	1.82	6.24	-	-	-	15.33	5.89	
7	7	7	1.96	1.96	1.96	1.96	5.05	-	-	-	14.87	5.90	
7	7	7	2.05	2.05	2.05	2.05	4.10	-	-	-	14.35	5.35	
7	7	7	2.05	2.05	2.05	2.05	3.52	-	-	-	13.77	5.05	
7	7	7	2.05	2.05	2.05	2.05	2.64	-	-	-	12.89	4.57	
7	7	7	2.05	2.05	2.05	2.05	2.05	-	-	-	12.30	4.24	
7	9	9	1.78	2.30	2.30	2.30	2.30	2.30	-	-	15.57	5.88	
7	9	9	1.77	1.77	2.28	2.28	2.28	3.04	-	-	15.69	5.87	
7	9	9	1.82	1.82	2.34	2.34	2.34	2.34	-	-	15.34	5.89	
7	9	9	1.77	1.77	2.28	2.28	2.28	3.54	-	-	15.69	5.87	
7	7	9	1.80	1.80	1.80	2.32	2.32	2.32	3.09	-	15.45	5.89	
7	7	9	1.91	1.91	1.91	2.46	2.46	2.46	2.46	-	15.55	5.90	
7	7	9	1.79	1.79	1.79	1.79	2.30	3.07	3.07	-	15.57	5.88	
7	7	9	1.80	1.80	1.80	2.32	2.32	3.60	-	-	15.45	5.89	
7	7	9	1.83	1.83	1.83	2.36	2.36	3.15	-	-	15.21	5.90	
7	7	9	1.93	1.93	1.93	2.49	2.49	2.49	-	-	15.21	5.90	
7	7	9	1.79	1.79	1.79	1.79	3.07	3.57	-	-	15.57	5.88	
7	7	9	1.82	1.82	1.82	1.82	3.12	3.12	-	-	15.33	5.89	
7	7	9	1.77	1.77	1.77	1.77	2.28	4.55	-	-	15.68	5.87	
7	7	9	1.84	1.84	1.84	1.84	2.36	3.67	-	-	15.21	5.90	
7	7	9	1.92	1.92	1.92	1.92	2.47	3.30	-	-	15.38	5.90	
7	7	9	1.96	1.96	1.96	1.96	2.53	2.53	-	-	14.87	5.90	
7	7	9	1.80	1.80	1.80	1.80	1.80	4.63	-	-	15.45	5.89	
7	7	9	1.92	1.92	1.92	1.92	1.92	3.84	-	-	15.37	5.90	
7	7	9	1.95	1.95	1.95	1.95	3.35	-	-	-	15.04	5.90	
7	7	9	2.05	2.05	2.05	2.05	2.64	-	-	-	14.94	5.65	
7	7	9	2.05	2.05	2.05	2.05	2.64	-	-	-	14.35	5.35	
7	7	9	1.77	1.77	1.77	1.77	2.28	2.28	2.28	-	15.69	5.87	
7	7	9	1.80	1.80	1.80	1.80	1.80	2.32	2.32	-	15.45	5.89	
7	7	9	1.79	1.79	1.79	1.79	1.79	3.07	3.07	-	15.57	5.88	
7	7	9	1.84	1.84	1.84	1.84	1.84	1.84	2.36	-	15.21	5.90	
7	7	9	1.92	1.92	1.92	1.92	1.92	1.92	1.92	-	15.37	5.90	

Notes: •Cooling capacity is determined based on 27°CDB/19°CWB (indoor temperature) and 35°CDB (outdoor temperature).
 •Pipe Length: 5 m (Outdoor unit to Branch box), 3 m (Branch box to Indoor unit)
 •Height difference: 0 m (Outdoor unit to Indoor unit)
 •The specifications in the table are for reference only. These values are calculated at standard conditions.
 Refer to "Model Selection" in the D&T manual to select your model.

8-unit Multi-split heating

AOYG45LBT8	Combination of Indoor Units		Heating Operation										Input power						
			Heating Capacity																
			Unit 1	Unit 2	Unit 3	Unit 4	Unit 5	Unit 6	Unit 7	Unit 8	Total								
			kW	kW	kW	kW	kW	kW	kW	kW	kW	kW							
2-unit connection	24	24	-	-	-	-	-	-	-	-	7.91	7.91	-	-	-	-	-	15.82	5.07
	18	24	-	-	-	-	-	-	-	-	5.86	7.91	-	-	-	-	-	13.77	4.21
	18	18	24	-	-	-	-	-	-	-	5.32	5.32	7.18	-	-	-	-	17.82	5.98
	18	18	18	-	-	-	-	-	-	-	5.79	5.79	5.79	-	-	-	-	17.38	5.43
	14	24	24	-	-	-	-	-	-	-	4.26	7.02	7.02	-	-	-	-	18.31	5.98
	14	18	24	-	-	-	-	-	-	-	4.59	5.61	7.57	-	-	-	-	17.77	5.70
	14	18	18	-	-	-	-	-	-	-	4.78	5.84	5.84	-	-	-	-	16.46	5.11
	14	14	24	-	-	-	-	-	-	-	4.75	4.75	7.82	-	-	-	-	17.32	5.23
	14	14	18	-	-	-	-	-	-	-	4.80	4.80	5.86	-	-	-	-	15.46	4.75
	14*	14*	14*	-	-	-	-	-	-	-	4.80	4.80	4.80	-	-	-	-	14.40	4.21
	12	24	24	-	-	-	-	-	-	-	3.58	7.15	7.15	-	-	-	-	17.89	5.98
	12	18	24	-	-	-	-	-	-	-	3.84	5.68	7.67	-	-	-	-	17.19	5.43
12	18	18	-	-	-	-	-	-	-	3.96	5.86	5.86	-	-	-	-	15.68	5.07	
12	14	24	-	-	-	-	-	-	-	3.94	4.78	7.87	-	-	-	-	16.59	5.11	
12	14	18	-	-	-	-	-	-	-	3.96	4.80	5.86	-	-	-	-	14.62	4.46	
12*	14*	14*	-	-	-	-	-	-	-	3.96	4.80	7.80	-	-	-	-	13.56	4.00	
3-unit connection	12	12	24	-	-	-	-	-	-	-	3.96	3.96	7.91	-	-	-	-	15.83	5.07
	12	12	18	-	-	-	-	-	-	-	3.96	3.96	5.86	-	-	-	-	13.78	4.21
	9	24	24	-	-	-	-	-	-	-	2.85	7.54	7.54	-	-	-	-	17.93	5.87
	9	18	24	-	-	-	-	-	-	-	2.97	5.83	7.87	-	-	-	-	16.67	5.16
	9	18	18	-	-	-	-	-	-	-	2.99	5.86	5.86	-	-	-	-	14.71	4.60
	9	14	24	-	-	-	-	-	-	-	2.99	4.80	7.91	-	-	-	-	15.70	4.91
	9	14	18	-	-	-	-	-	-	-	2.99	4.80	5.86	-	-	-	-	13.65	4.10
	9	12	24	-	-	-	-	-	-	-	2.99	3.96	7.91	-	-	-	-	14.86	4.60
	9	12	18	-	-	-	-	-	-	-	2.99	3.96	5.86	-	-	-	-	12.81	3.90
	9	9	24	-	-	-	-	-	-	-	2.99	2.99	7.91	-	-	-	-	13.89	4.21
	7	24	24	-	-	-	-	-	-	-	2.28	7.61	7.61	-	-	-	-	17.51	5.56
	7	18	24	-	-	-	-	-	-	-	2.37	5.85	7.90	-	-	-	-	16.12	5.08
7	18	18	-	-	-	-	-	-	-	2.37	5.86	5.86	-	-	-	-	14.09	4.33	
7	14	24	-	-	-	-	-	-	-	2.37	4.80	7.91	-	-	-	-	15.08	4.60	
7	14	18	-	-	-	-	-	-	-	2.37	4.80	5.86	-	-	-	-			

8-unit Multi-split Combination Table-Heating

8-unit Multi-split heating

AOYG45LBT8	Combination of Indoor Units								Heating Operation										Input power		
									Heating Capacity												
									Unit 1	Unit 2	Unit 3	Unit 4	Unit 5	Unit 6	Unit 7	Unit 8	Total				
		kW	kW	kW	kW	kW	kW	kW	kW	kW	kW	kW									
4-unit connection	7	7	14	18	-	-	-	-	-	-	-	-	2.37	2.37	4.80	4.80	-	-	15.40	4.75	
	7	7	14	14	-	-	-	-	-	-	-	-	2.37	2.37	4.80	4.80	-	-	14.34	4.21	
	7	7	12	24	-	-	-	-	-	-	-	-	2.36	2.36	3.94	7.87	-	-	16.53	5.11	
	7	7	12	18	-	-	-	-	-	-	-	-	2.37	2.37	3.96	5.86	-	-	14.56	4.46	
	7	7	12	14	-	-	-	-	-	-	-	-	2.37	2.37	3.96	4.80	-	-	13.50	4.00	
	7	7	9	24	-	-	-	-	-	-	-	-	2.37	2.37	2.99	7.91	-	-	15.64	4.91	
	7	7	9	18	-	-	-	-	-	-	-	-	2.37	2.37	2.99	5.86	-	-	13.59	4.10	
	7	7	7	24	-	-	-	-	-	-	-	-	2.37	2.37	2.37	7.81	-	-	15.02	4.60	
	7	7	7	18	-	-	-	-	-	-	-	-	2.37	2.37	2.37	5.86	-	-	12.97	3.90	
	7	7	12	12	14	-	-	-	-	-	-	-	3.51	3.51	3.51	3.51	4.26	-	-	18.32	5.98
	7	7	12	12	12	-	-	-	-	-	-	-	3.58	3.58	3.58	3.58	3.58	-	-	17.90	5.98
	7	7	12	14	14	-	-	-	-	-	-	-	2.66	3.52	3.52	4.27	4.27	-	-	18.26	5.98
7	7	12	12	14	-	-	-	-	-	-	-	2.71	3.59	3.59	4.35	-	-	17.84	5.98		
7	7	12	12	12	-	-	-	-	-	-	-	2.85	3.77	3.77	3.77	-	-	17.95	5.87		
7	7	9	14	14	-	-	-	-	-	-	-	2.67	2.67	4.28	4.28	4.28	-	-	18.19	5.98	
7	7	9	12	14	-	-	-	-	-	-	-	2.66	2.66	3.52	4.26	5.21	-	-	18.30	5.98	
7	7	9	12	14	-	-	-	-	-	-	-	2.72	3.60	4.37	4.37	-	-	17.77	5.98		
7	7	9	12	18	-	-	-	-	-	-	-	2.71	2.71	3.58	3.58	5.30	-	-	17.88	5.98	
7	7	9	12	14	-	-	-	-	-	-	-	2.86	2.86	3.78	4.58	-	-	17.86	5.70		
7	7	9	12	12	-	-	-	-	-	-	-	2.89	2.89	3.83	3.83	-	-	17.28	5.43		
7	7	9	9	14	18	-	-	-	-	-	-	2.71	2.71	4.36	5.32	-	-	17.82	5.98		
7	7	9	9	14	14	-	-	-	-	-	-	2.86	2.86	2.86	4.59	4.59	-	-	17.77	5.56	
7	7	9	9	12	18	-	-	-	-	-	-	2.85	2.85	2.85	3.78	5.59	-	-	17.92	5.87	
7	7	9	9	12	14	-	-	-	-	-	-	2.90	2.90	2.90	3.84	4.65	-	-	17.19	5.32	
7	7	9	9	12	12	-	-	-	-	-	-	2.97	2.97	3.93	3.93	-	-	16.78	5.16		
7	7	9	9	9	24	-	-	-	-	-	-	2.70	2.70	2.70	7.14	-	-	17.94	5.98		
7	7	9	9	9	18	-	-	-	-	-	-	2.89	2.89	2.89	2.89	5.67	-	-	17.25	5.43	
7	7	9	9	9	14	-	-	-	-	-	-	2.97	2.97	2.97	4.77	-	-	16.67	5.11		
7	7	9	9	9	12	-	-	-	-	-	-	2.99	2.99	2.99	3.96	-	-	15.92	5.07		
7	7	9	9	9	9	-	-	-	-	-	-	2.99	2.99	2.99	2.99	-	-	14.95	4.60		
7	7	12	14	14	14	-	-	-	-	-	-	2.10	3.51	4.25	4.25	4.25	-	-	18.37	5.98	
7	7	12	14	14	14	-	-	-	-	-	-	2.14	3.57	3.57	4.33	-	-	17.95	5.98		
7	7	12	12	18	-	-	-	-	-	-	-	2.13	3.56	3.56	3.56	5.26	-	-	18.06	5.98	
7	7	12	12	14	-	-	-	-	-	-	-	2.25	3.76	3.76	3.76	4.56	-	-	18.10	5.87	
7	7	12	12	12	14	-	-	-	-	-	-	2.28	3.81	3.81	3.81	4.57	-	-	17.52	5.56	
7	7	9	14	14	18	-	-	-	-	-	-	2.09	2.64	4.24	4.24	5.18	-	-	18.40	5.98	
7	7	9	14	14	14	-	-	-	-	-	-	2.14	2.71	4.34	4.34	4.34	-	-	17.88	5.98	
7	7	9	12	14	18	-	-	-	-	-	-	2.13	2.69	3.57	4.32	5.28	-	-	17.99	5.98	
7	7	9	12	14	14	-	-	-	-	-	-	2.26	2.85	3.77	4.57	5.28	-	-	18.01	5.70	
7	7	9	12	18	-	-	-	-	-	-	-	2.25	2.84	3.76	3.76	5.56	-	-	18.16	5.98	
7	7	9	12	12	14	-	-	-	-	-	-	2.28	2.88	3.82	3.82	4.63	-	-	17.43	5.43	
7	7	9	12	12	-	-	-	-	-	-	-	2.35	2.96	3.92	3.92	-	-	17.09	5.23		
7	7	9	9	18	18	-	-	-	-	-	-	2.13	2.69	4.27	5.27	-	-	18.04	5.98		
7	7	9	9	14	18	-	-	-	-	-	-	2.25	2.84	4.56	5.57	-	-	18.07	5.87		
7	7	9	9	14	14	-	-	-	-	-	-	2.29	2.89	2.89	4.64	4.64	-	-	17.34	5.32	
7	7	9	9	12	24	-	-	-	-	-	-	2.12	2.68	3.55	7.08	-	-	18.11	5.98		
7	7	9	9	12	18	-	-	-	-	-	-	2.28	2.88	2.88	3.81	5.64	-	-	17.49	5.56	
7	7	9	9	12	14	-	-	-	-	-	-	2.35	2.97	3.93	4.76	-	-	16.97	5.16		
7	7	9	9	12	12	-	-	-	-	-	-	2.37	2.98	2.98	3.95	3.95	-	-	16.24	5.08	
7	7	9	9	9	24	-	-	-	-	-	-	2.17	2.74	2.74	7.24	-	-	17.63	5.98		
7	7	9	9	9	18	-	-	-	-	-	-	2.35	2.96	2.96	2.96	5.81	-	-	17.05	5.23	
7	7	9	9	9	14	-	-	-	-	-	-	2.37	2.99	2.99	2.99	4.79	-	-	16.12	5.07	
7	7	9	9	9	12	-	-	-	-	-	-	2.37	2.99	2.99	2.99	3.96	-	-	15.30	4.75	
7	7	9	9	9	9	-	-	-	-	-	-	2.37	2.99	2.99	2.99	-	-	14.33	4.33		
7	7	14	14	18	-	-	-	-	-	-	-	2.12	2.12	4.30	5.25	-	-	18.10	5.98		
7	7	14	14	14	-	-	-	-	-	-	-	2.25	2.25	4.55	4.55	-	-	18.16	5.70		
7	7	12	18	18	-	-	-	-	-	-	-	2.11	2.11	3.53	5.23	5.23	-	-	18.21	5.98	
7	7	12	14	18	-	-	-	-	-	-	-	2.16	2.16	3.62	4.38	5.35	-	-	17.68	5.98	
7	7	12	14	14	-	-	-	-	-	-	-	2.28	2.28	3.80	4.61	-	-	17.58	5.43		
7	7	12	12	24	-	-	-	-	-	-	-	2.11	2.11	3.52	3.52	7.03	-	-	18.29	5.98	
7	7	12	12	14	-	-	-	-	-	-	-	2.35	2.35	3.92	3.92	4.75	-	-	17.28	5.23	
7	7	12	12	12	-	-	-	-	-	-	-	2.36	2.36	3.94	3.94	-	-	16.54	5.11		
7	7	9	18	18	-	-	-	-	-	-	-	2.16	2.16	2.72	5.34	5.34	-	-	17.73	5.98	
7	7	9	14	24	-	-	-	-	-	-	-	2.11	2.11	2.67	4.28	7.05	-	-	18.22	5.98	
7	7	9	14	18	-	-	-	-	-	-	-	2.27	2.27	2.87	4.61	5.62	-	-	17.64	5.56	
7	7	9	14	14	-	-	-	-	-	-	-	2.35	2.35	2.96	4.75	4.75	-	-	17.16	5.16	
7	7	9	12	24	-	-	-	-	-	-	-	2.15	2.15	2.72	3.60	7.18	-	-	17.80	5.98	
7	7	9	12	18	-	-	-	-	-	-	-	2.34	2.34	2.96	3.92	5.80	-	-	17.36	5.32	
7	7	9	12	14	-	-	-	-	-	-	-	2.36	2.36	2.98	3.95	4.78	-	-	16.43	5.08	
7	7	9	12	12	-	-	-	-	-	-	-	2.37	2.37	2.97	3.96	-	-	15.65	4.91		
7	7	9	9	18	-	-	-	-	-	-	-	2.36	2.36	2.98	2.98	5.83	-	-	17.81	5.70	
7	7	9	9	14	-	-	-	-	-	-	-	2.37	2.37	2.99	2.99	4.80	-	-	15.52	4.75	
7	7	9	9	12	-	-	-	-	-	-	-	2.37	2.37	2.99	2.99	3.96	-	-	14.68	4.46	
7	7	9	9	9	-	-	-	-	-	-	-	2.37	2.37	2.99	2.99	2.99	-	-	13.71	4.10	
7	7	7	18	18	-	-	-	-	-	-	-	2.26	2.26	2.26	5.58	5.58	-	-	17.95	5.87	
7	7	7	14	24	-	-	-	-	-	-	-	2.14	2.14	2.14	4.34	7.15	-	-	17.91	5.98	
7	7	7	14	18	-	-	-	-	-	-	-	2.30	2.30	2.30	4.65	5.68	-	-	17.22	5.32	
7	7	7	14	14	-	-	-	-	-	-	-	2.36	2.36	2.36	4.77	4.77	-	-	16.62	5.08	
7	7	7	12	24	-	-	-	-	-	-	-	2.25	2.25	2.25	3.77	7.52	-	-	18.05	5.87	
7	7	7	12	18	-	-	-	-	-	-	-	2.35	2.35	3.93	5.82	-	-	16.81	5.16		
7	7	7	12	14	-	-	-	-	-	-	-	2.37	2.37	3.96	4.80	-	-	15.87	4.91		
7	7	7	12	12	-	-	-	-	-	-	-	2.37	2.37	3.96	3.96	-	-	15.03	4.60		
7	7	7	9	24	-	-	-	-	-	-	-	2.29	2.29	2.29	2.89	7.63	-	-	17.38	5.43	
7	7	7	9	18	-	-	-	-	-	-	-	2.37	2.37								

Feature Summary

Type	Wall-mounted type								Cassette		Cassette						Duct			Floor		Floor/Ceiling	Ceiling	
	Designer Series		Standard Series		Designer Series		Standard Series		Compact 4-way Flow Grid type Series	Compact 4-way Flow Series	4-way Flow Series	Mini (With drain pump)		Slim (With drain pump)		Medium Static Pressure								
Series	ASYG 07/09/12/14 KGTB	ASYG 07/09/12/14 KETA, ASYG 07/09/12/14 KETA-B	ASYG 07/09/12/14 KMCC	ASYG 18/22/24 KMTB	ASYG 07/09/12/14 LUCA	ASYG 07/09/12/14 LMCE	ASYG18LFCA, ASYG24LFCC	AUXG 07/09/12/14/18/22/24 KVLA	AUYG 07/09/12/14/18/22/24 LVLB, AUYG 22/24LVLA	AUYG 07/09/12/14/18/22/24 LRLA, AUYG 36/45LRLA	ARXG 07/09/12/14/18 KSLAP	ARYG 07/09/12/14/18 LSLAP	ARXG 07/09/12/14/18 KLLAP	ARYG 07/09/12/14/18 LLTB	ARXG22KMLB, ARXG24KMLA	ARYG 22/24/36/45 LMLA, ARYG 30/36LMLE	AGYG 09/12/14 KVCA	AGYG 09/12/14 LVCA	ABYG 14/22/24 LVTA, ABYG18LVTB	ABYG 18/22KRTA	ABYG 30/36LRTE, ABYG 36/45LRTA			
Refrigerant	R32		R32	R32	R32	R410A		R410A	R410A		R32	R410A	R32	R410A	R32	R410A	R32	R410A	R410A	R410A	R410A	R410A		
Energy-saving Features	Save Human sensor	●																						
	Economy mode	●	●	●	●	●	●	●	●	●	●	●	●	●	●	●	●	●	●	●	●			
	Setting temperature range limitation	○	○	○	○	○	○	○	○	○	○	○	○	○	○	○	○	○	○	○	○			
	Set temperature auto return	○	○	○	○	○	○	○	●	○	○	●	●	○	○	○	○	○	○	○	○			
Features for Comfort	Power diffuser						●	●																
	Powerful mode	●	●	●	●	●	●										●							
	10°C Heat	●	●	●	●	●	●	●	●	○	○	○	○	○	○	○	●	●	●	○	●			
	Low noise mode	●	●	●	●	●	●									○ (45) (36LMLE)	●			○ (45/54) (36LRTE)	○ (45/54) (36LRTE)			
	Auto changeover	●	●	●	●	●	●	●	●	●	●	●	●	●	●	●	●	●	●	●	●			
	UP/DOWN swing louver	●	●	●	●	●	●	●	●	●	○	○	○	○			●	●	●	●	●			
	Double swing automatic				●		●													●	●			
	Automatic fan speed	●	●	●	●	●	●	●	●	●	●	●	●	●	●	●	●	●	●	●	●			
	Auto restart	●	●	●	●	●	●	●	●	●	●	●	●	●	●	●	●	●	●	●	●			
	Connectable fresh air duct									○	●					●	●			●	●			
	Fresh air intake									○	○			○	○	○	○				○	○		
	Connectable distributing duct															●	●							
	Convenience Features	Auto-off timer	○	○	○	○	○	○	○	○	○	○	●	●	○	○	○	○	○	○	○	○		
		Sleep timer	●	●	●	●	●	●	●	●	●	○	○	○	○	○	○	○	○	○	○	○		
Program timer		●	●	●	●	●	●	●	●	●	○	○	○	○	○	○	○	○	○	○	○			
Weekly timer		●	●	○	●	●	●	●	●	●	○	○	○	○	○	○	○	○	○	○	○			
Weekly & Temperature setback timer		○	○	○	○	○	○	○	○	○	●		●	●	●	●		○	○		○			
Filter sign		●	●	●	●	●	●	●	●	●	●	●	●	●	●	●	●	●	●	●	●	●		
External error output		○	○	○	○	○	○	○	○	○	○	○	○	○	○	○	○	○	○	○	○			
External ON/OFF input		○	○	○	○	○	○	○	○	○	○	●	●	○	○	○	○	○	○	○	○			
Clean Features	Wireless LAN control	○	○	○	○	○	○	○	○	○	○	○	○	○	○	○	○	○	○	○	○			
	Ion deodorization filter	○	○	○	●	●	●	●									●	●						
	Apple-catechin filter	○	○	○	●	●	●	●									●	●						
	Long-life filter														○	○	●	●						
	Washable panel				●	●	●																	
Installation	Silver Ion Filter	○	○	○	○	○	○	○	○	○	○	○	○	○	○	○	○	○	○	○	○			
	Drain pump as standard							●	●	●	●	●	●	●	○	○				○	○			
	Blue fin						● (30)		● (45/54)						● (45)						● (45)			

○ : Optional function